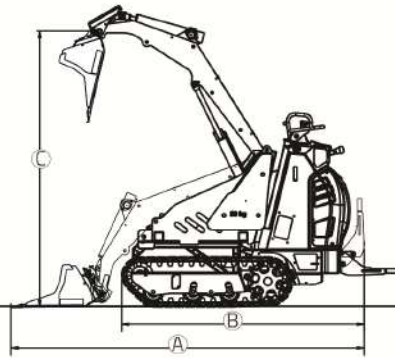
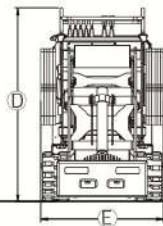
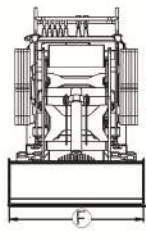


C85_H3_ML C85_KH3_ML C85_Y2_ML C85_K1_ML



	mm		inch.
A	2600	A	102.4
B	1654	B	65.1
C	1884	C	74.2
D	1326	D	52.2
E	837	E	33.0
F	860	E	33.9