

DRIVE THE CHANGE



LITHIUM



BR.2019.10.0095.02.01

CORMIDI

C85

MINI TRACK DUMPER



DRIVE THE CHANGE

MAXIMUM EFFICIENCY



Endless hours of testing and tuning made the C85 the best in its class for performance and reliability. We created a durable machine with maintenance cost close to none.

UNDERCARRIAGE



Our undercarriage is like no one. Our Cormidi R&D department put all its experience towards creating the best undercarriage available on the market

SIMPLY INCREDIBLE



The Cormidi design lab created a machine that mixes industrial design with strength, power and easy to use

CORMIDI

C85
MINI TRACK DUMPER



DRIVE THE CHANGE

STRENGTHS



The operators has a perfect access to all the controls and can keep all the parameters under control



The tilting bucket not only load the dumper but can unload it frontally



When the situation needs a shorter unit, the stand can be closed, otherwise it opens to let the operator in.



Large and sturdy hooks to lift and to fix the machine in total safety.



The machine's undercarriage oscillated to follow the terrain profile for increased stability and comfort and lifetime of crawler



Greasing the undercarriage is easy and fast: nothing has to be taken apart.



Galvanized sheet, protects the moving parts from materials that could damage them



The C85 puts incredible power in a compact and sturdy machine



Bonnet with closure, to quickly open and close.

CORMIDI

C85
MINI TRACK DUMPER



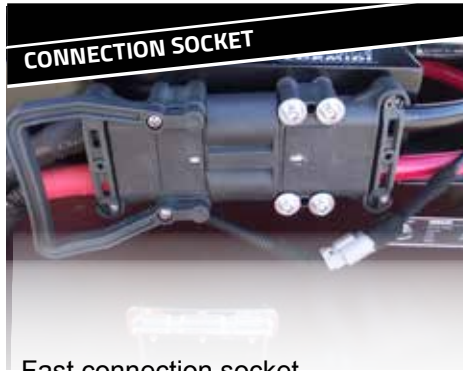
STRENGTHS

REMOTE CONTROL



The machine can be radio controlled for dangerous jobs.

CONNECTION SOCKET



Fast connection socket, in the bonnet.

REMOVABLE BATTERY PACK



High performance battery pack Life P04, Bms System

ELECTRONIC CONTROL



Electronic control unit battery management software devel. by Cormidi



CORMIDI COCKPIT



Display 3.5 "touch screen

Display 3.5 "touch screen allows you to view all the settings of the machine as well as choosing the level of power and speed of the machine.

From the display you can select 3 power and speed modes:

- **Std normal speed** long battery life.
- **PF (Performance mode)** Medium high speed and power increase
- **HP (Hyper Performance)** High speed and high traction power.

CORMIDI

CBS

MINI TRACK DUMPER

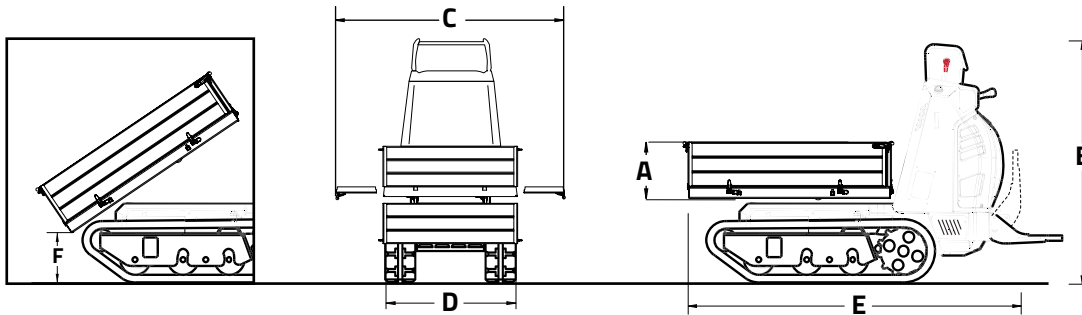


DRIVE THE CHANGE

AGRI (RIA)



BATTERY CORMIDI
100 %



	mm	inch.
A	305	12.0
B	1336	52.6
C	1356	53.4
D	810	31.9
E	1950	76.8
F	260	10.2

**OPERATIVE
CAPACITY**

Battery

800 kg

1764 Lb

**TOTAL
WEIGHT**

536 kg

1181.7 Lb

STRUCK

0,19 m³

0.25 yd³

HEAPED SAE

0,31 m³

0,41 yd³

CORMIDI

CBS
MINI TRACK DUMPER

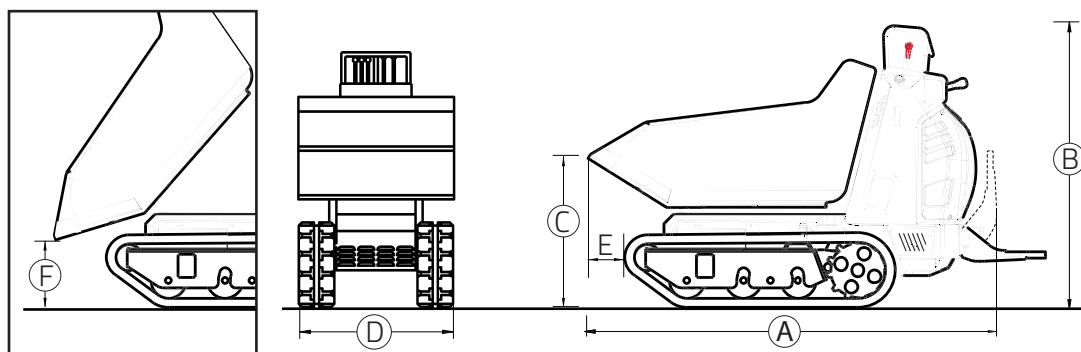


DRIVE THE CHANGE

DUMPER (RI)



BATTERY CORMIDI
100 %



	mm		inch.
A	2120	A	83.5
B	1336	B	52.6
C	739	C	29.1
D	810	D	31.9
E	285	E	11.22
F	250	F	9.84

OPERATIVE CAPACITY

Battery

800 kg

1764 Lb

TOTAL WEIGHT

566 kg

1248 Lb

STRUCK

0,28 m³

0.37 yd³

HEAPED SAE

0,36 m³

0.47 yd³

CORMIDI

CBS

MINI TRACK DUMPER

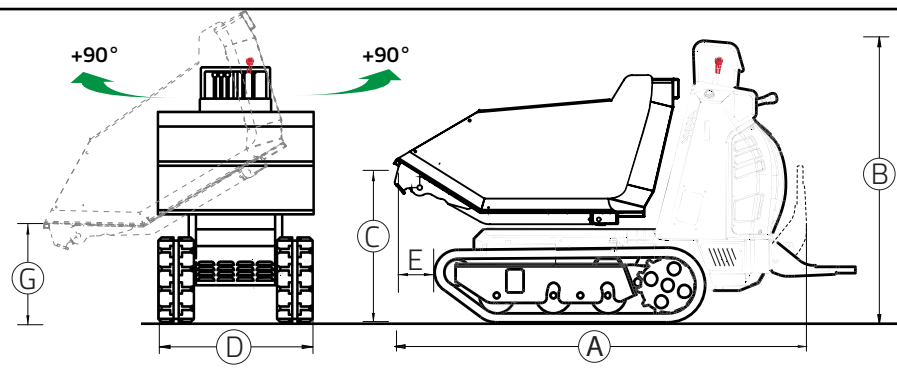
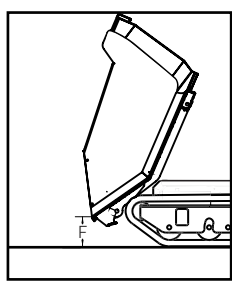


DRIVE THE CHANGE

DUMPER (RIX)



BATTERY CORMIDI
100%



	mm	inch.
A	1860	A 73.2
B	1336	B 52.6
C	790	C 31.1
D	810	D 31.9
E	240	E 9.45
F	580	E 22.8
G	290	G 11.4

OPERATIVE
CAPACITY

Battery

800 kg

1764 Lb

TOTAL
WEIGHT

632 kg

1.393,3 Lb

STRUCK

0,33 m³

0.43 yd³

HEAPED SAE

0,42 m³

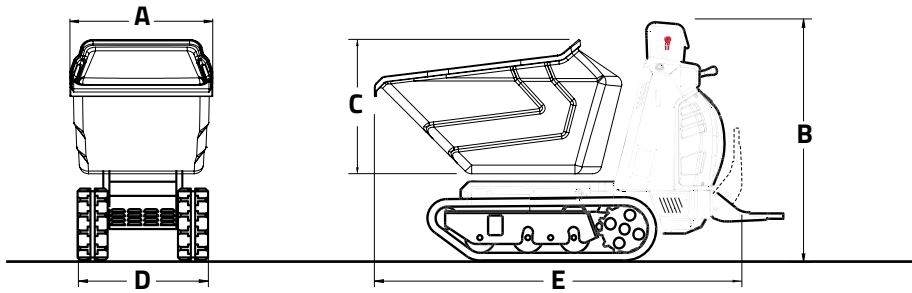
0.55 yd³

CORMIDI

CBS
MINI TRACK DUMPER



DUMPER (RI-Poly)



	mm	inch.
A	777	28.8
B	1336	52.6
C	730	29.1
D	810	31.9
E	1900	74.8

OPERATIVE
CAPACITY

Battery

800 kg

1764 Lb

TOTAL
WEIGHT

528 kg

1164 Lb

STRUCK

0,39 m³

0.51 yd³

HEAPED SAE

0,53 m³

0.69 yd³

CORMIDI

CBS
MINI TRACK DUMPER

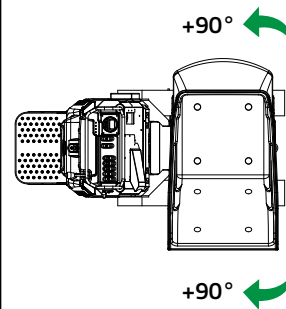
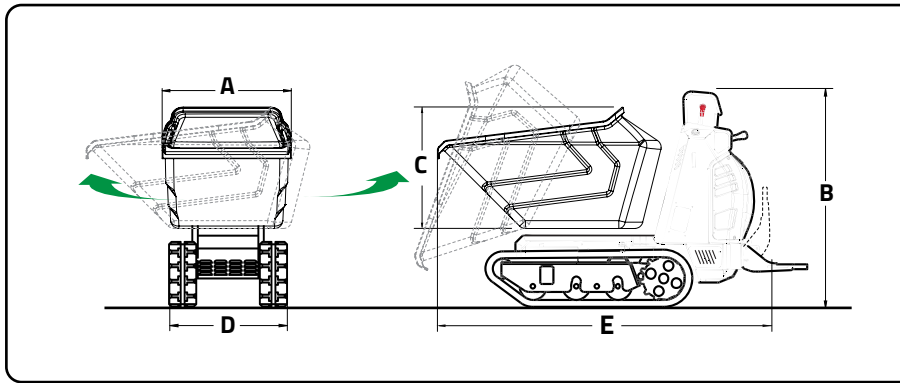


DRIVE THE CHANGE

DUMPER (RIX-Poly)



BATTERY CORMIDI
100 %



	mm	inch.
A	777	28.8
B	1336	52.6
C	730	29.1
D	810	31.9
E	1900	74.8

	Battery
OPERATIVE CAPACITY	800 kg 1764 Lb
TOTAL WEIGHT	568 kg 1252 Lb
STRUCK	0,39 m ³ 0.51 yd ³
HEAPED SAE	0,53 m ³ 0.69 yd ³

CORMIDI

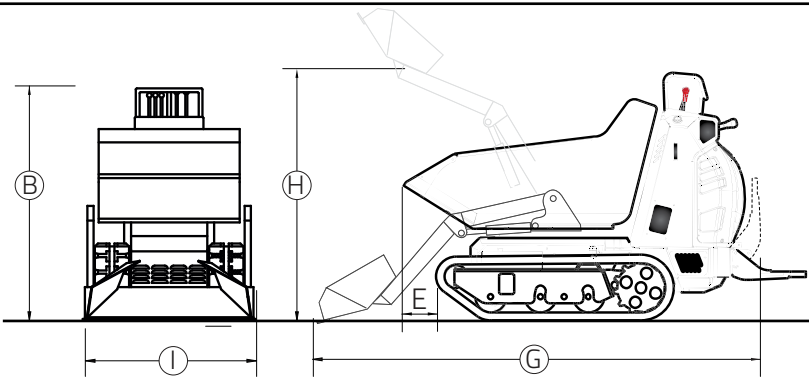
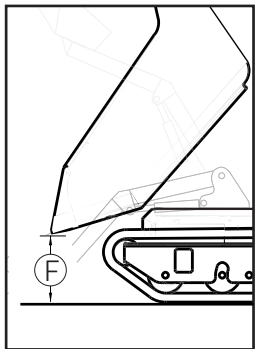
CBS
MINI TRACK DUMPER



SELF LOADING (AC-ACW)



BATTERY CORMIDI
100%



	mm		inch.
B	1336	B	52.6
G	2595	G	102.2
I	835	I	32.9
H	1490	H	58.7
F	280	F	11.0
E	285	E	11.2

OPERATIVE CAPACITY

Battery

800 kg

1764 Lb

TOTAL WEIGHT

637 kg

1404 Lb

STRUCK

0,25 m³

0.33 yd³

HEAPED SAE

0,34 m³

0.44 yd³

CORMIDI

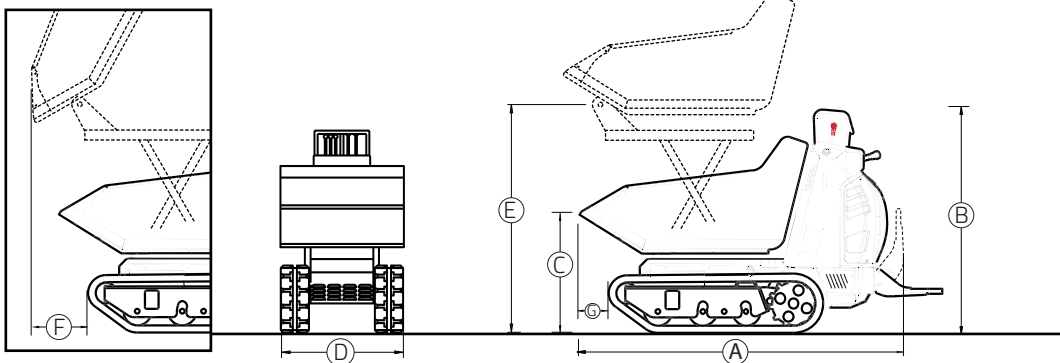
CBS
MINI TRACK DUMPER



HI-TIP (HI)



BATTERY CORMIDI
100 %



	mm		inch.
A	1926	A	75.8
B	1336	B	52.6
C	739	C	29.1
D	810	D	31.9
E	1500	E	59.1
F	830	F	32.7
G	260	G	10.2

OPERATIVE
CAPACITY

Battery

800 kg

1764 Lb

TOTAL
WEIGHT

643 kg

1418 Lb

STRUCK

0,28 m³

0.33 yd³

HEAPED SAE

0,36 m³

0.45 yd³

CORMIDI

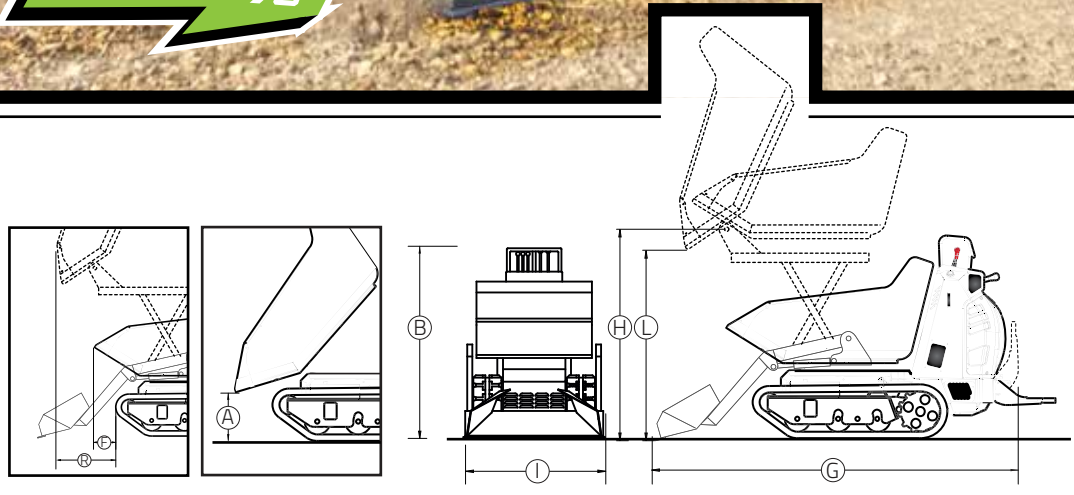
CBS
MINI TRACK DUMPER



HI-TIP AND SELF LOADING (HIAC-HIACW)



BATTERY CORMIDI
100%



	mm		inch.
A	620	A	24.2
B	1336	B	52.6
G	2595	G	102.2
I	835	I	32.9
H	1500	H	59.1
L	1345	L	53.0
F	260	F	10.2
R	830	F	32.7

OPERATIVE CAPACITY

Battery

800 kg

1764 Lb

TOTAL WEIGHT

740 kg

1631 Lb

STRUCK

0,25 m³

0.33 yd³

HEAPED SAE

0,34 m³

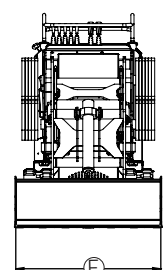
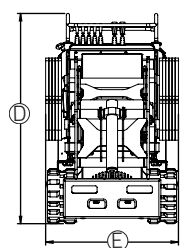
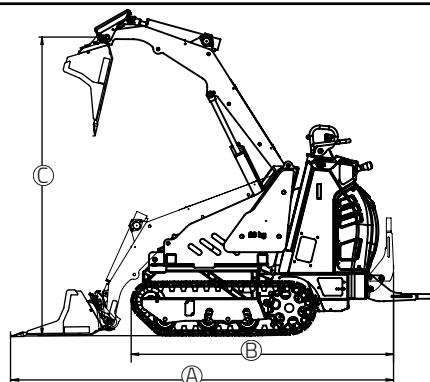
0.44 yd³



MINI LOADER (ML)



BATTERY CORMIDI
100%



	mm	inch.
A	2600	A 102.4
B	1654	B 65.1
C	1884	C 74.2
D	1326	D 52.2
E	837	E 33.0
F	860	E 33.9

TOTAL WEIGHT

Battery

788 kg

1737 Lb

TIPPING CAPACITY

GROUND PRESSURE

Without COUNTERWEIGHT

552 kg

1217 Lb

Without COUNTERWEIGHT

0,298 Kg/cm²

4.24 psi

With COUNTERWEIGHT
120 KG / 264 LBS

643 kg

1417.58

With COUNTERWEIGHT
120 KG / 264 LBS

0,341 Kg/cm²

4.85 psi

CORMIDI

CBS

MINI TRACK DUMPER

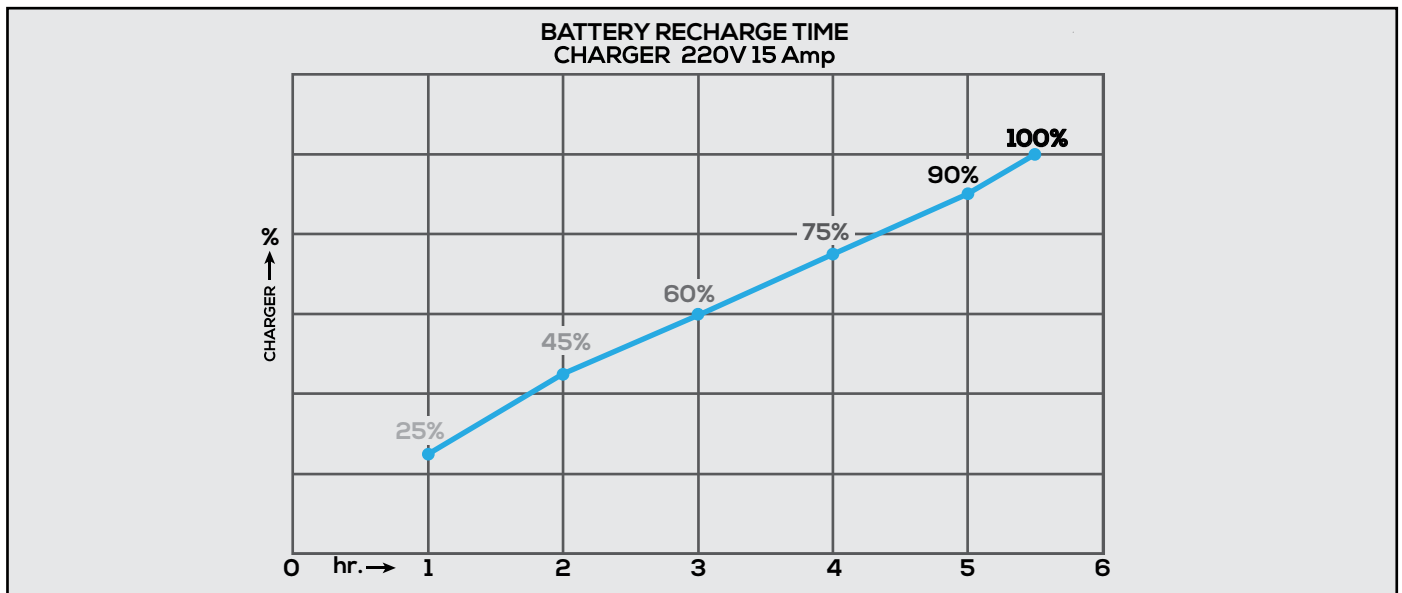


DRIVE THE CHANGE

TECHNICAL DATA

SPECIFICATIONS

	METRIC U.S.	
ENGINE		
Power 100%	5500 w	C85-E
Power peak	6500 w	●
Voltage	24VAC	●
Current	414 AH	●
Can bus tecnologia	Yes	●
UNDERCARRIAGE		
Type	2x hydrostatic closed circuit	●
Hydraulic pump	2 variable pistons pumps	●
UNDERCARRIAGE		
Crawler width	180 mm (7.1 in)	●
Rocking Rollers	2x2	●
HYDRAULIC SYSTEM		
Hydraulic pump	Oil Cooled Gear Pump	●
Flow std	1x7 l/min (1x1.84 gpm)	●
Max pressure	150 bar (2180 psi)	●
PERFORMANCE AND DIMENSIONS		
Setting display touch screen	Yes	●
Max. Travel Speed	(4,5 Km/h)(2.79 mph)	●
Operating Weight	800 kg (1762 lb)	●
Dry Weight	from 511 kg/1127 lb to 800 kg/1764 lb	●
Gross capacity	0.28 m ³ (0.37 yd ³) 0.53 m ³ (0.69 yd ³)	●
Parking brake	Yes	●
BATTERY		
Capacity	11,8 kw	●
Volt	24	●
Type	LiFe PO4	●
Duty Cycle life	>3000	●
Can Bus tecnologia	Yes	●
CHARGER BATTERY		
Single-phase 220/110 V	5 hr (100%)	●
Three-phase system 380 V (Option)	2,5 hr (100%)	●



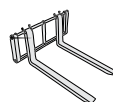
ACCESSORIES

Remote Control



Only for ML - Acw - Hiacw versions

Forks



blade





note



DRIVE THE CHANGE

Please note: The machines and accessories depicted in brochures and catalogues can vary from version to version, therefore please consult your distributor for a description of standard accessories and options available for each model. Cormidi reserves the right to change or to modify the specification of the machines without warning. The photos in catalogues and brochures represent the Cormidi machines in production at time of printing. However, newer and upgraded models may look different to the photos shown in this catalogue or brochure.

 Via Fonte, 342 Roccadaspide
(SA) Italy
ph. +39 0828 943688
fax +39 0828 943963

CORMIDI

25 Broad St, Norwalk 
CT 06851, USA
ph.+1 203-846-6120
art@cormidiusa.com