

58zT



Concrete solutions. Always.

Engine V2607-CR-T

Engine power 45,0 kW - 61,2 HP

Operating weight 5.400 kg

 **EUROCOMACH**[®]

58zT

| | | |
|---------------------------------------|------|-----------------------------|
| Operating weight (with rubber tracks) | kg | 5.400 |
| Travelling speed (AUTO TWO SPEED) | km/h | 1a : 0 ÷ 2,5 / 2a : 0 ÷ 4,5 |
| Slew speed | rpm | 11 |

ENGINE

| | | |
|------------------------|------------------------------------|-------------|
| Type | KUBOTA V2607-CR-T - STAGE 5 | |
| Max. Power (2.200 rpm) | kW - HP | 45,0 - 61,2 |
| Displacement | cc | 2.615 |
| Number of cylinders | n° | 4 |
| Cooling | water | |
| Consumption | lt/h | 7,6 |
| Alternator | V (A) | 12 (60) |
| Battery | V (Ah) | 12 (95) |

HYDRAULIC SYSTEM

| | | |
|---|---|------------|
| Circuit Type | Load Sensing closed center system with "Flow Sharing" control valve | |
| Pump type | 1 LS hydraulic variable pump with electronic control + 1 gear pump | |
| Pump displacement | cc | 65 + 14,5 |
| Pump capacity | lt/min | 129 + 28,8 |
| Max. circuit calibration pressure | bar | 280 |
| Auxiliary system (max pressure): | lt/min (bar) | 80 (200) |
| AUX 1 single or double effect with priority | | |

PERFORMANCES

| | | |
|--|--------------------|---------------|
| Max. digging depth with standard arm (optional arm) | mm | 3.400 (3.570) |
| Max. dumping height with standard arm (optional arm) | mm | 3.950 (4.050) |
| Bucket breaking force (standard arm) ISO 6015 | daN | 5.300 |
| Arm breaking force (standard arm) ISO 6015 | daN | 2.800 |
| Traction force | daN | 5.500 |
| Ground bearing pressure with rubber tracks | kg/cm ² | 0,31 |
| Max. slope | 60% - 30° | |

DIMENSIONS

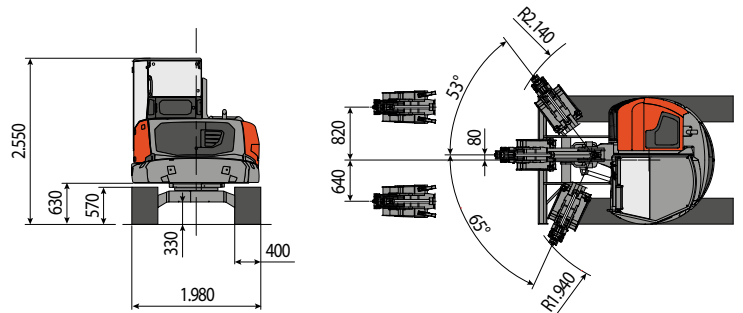
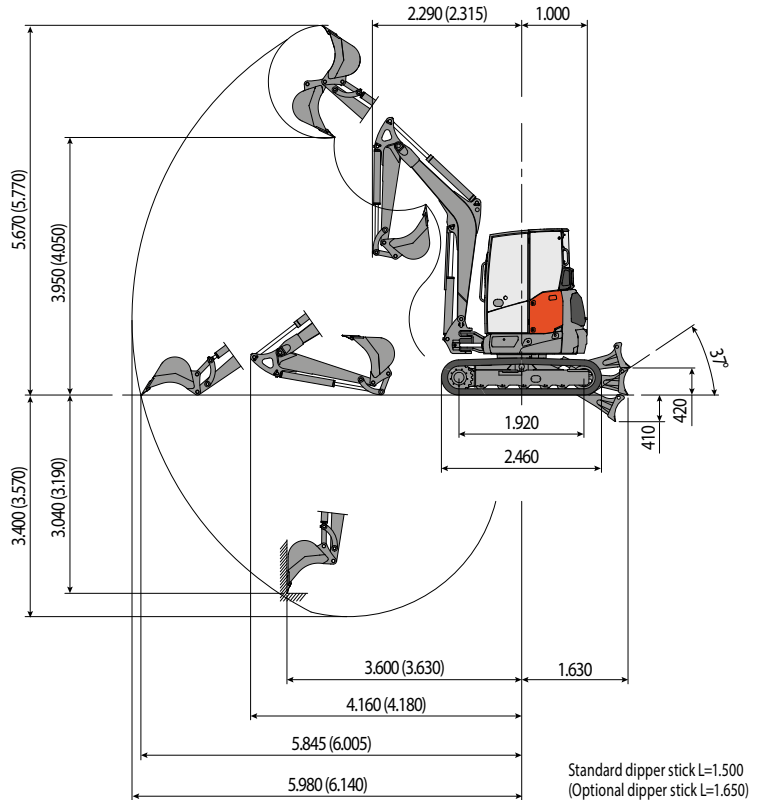
| | | |
|-----------------------------------|----|---------------|
| Maximum width | mm | 1.980 |
| Total height | mm | 2.550 |
| Rear rotation radius | mm | 1.000 |
| Digging arm length std (optional) | mm | 1.500 (1.650) |
| Tracks width | mm | 400 |
| Rollers number (for each side) | n° | 5/1 |

FILLINGS

| | | |
|----------------------------|----|------|
| Fuel tank | lt | 85 |
| Hydraulic oil tank | lt | 60 |
| Hydraulic circuit capacity | lt | 80 |
| Cooling system capacity | lt | 12 |
| Engine oil | lt | 10,2 |

CONTROLS

| | |
|---|--|
| Boom, dipper stick, bucket and turret swing | 2 pilot joysticks |
| Tracks movement (included counter rotation) | 2 pilot levers |
| Dozer blade | pilot lever |
| Priority auxiliary system with holding function AUX 1 (single or double effect) | electroproportional switch on right joystick |
| Boom swing | electroproportional switch on left joystick |



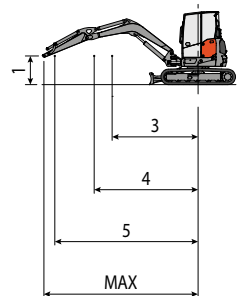
LIFTING CAPACITY

Opening arm from the rotation's center (m) Lifting capacity (kg) at 1.0 m height

| | 3 | 4 | 5 | MAX |
|---------------------------------|--------|--------|--------|--------|
| Frontal and lowered dozer blade | *2.780 | *1.860 | *1.460 | *1.420 |
| Frontal and lifted dozer blade | 1.450 | 950 | 680 | 660 |
| Lateral | 1.280 | 860 | 620 | 600 |

* Indicates the hydraulic load limit.

The lifting capacity is based on the ISO 10567 and it does not exceed more than the 75% of static tipping load or more than the 87% of the hydraulic lifting capacity of the machine.



 **EUROCOMACH®**