

42zT



Concrete solutions. Always.

Engine D1803-CR-T

Engine power 32,3 kW - 43,9 HP

Operating Weight 4.050 - 4.200 kg

 **EUROCOMACH®**

42zT

| | | |
|---|------|-----------------------------|
| Operating weight with canopy (with rubber tracks) | kg | 4.050 |
| Operating weight with cabin (with rubber tracks) | kg | 4.200 |
| Travelling speed (AUTO TWO SPEED) | km/h | 1a : 0 ÷ 2,6 / 2a : 0 ÷ 4,5 |
| Slew speed | rpm | 10,5 |

ENGINE

| | | |
|------------------------|------------------------------------|-------------|
| Type | KUBOTA D1803-CR-T - STAGE 5 | |
| Max. Power (2.300 rpm) | kW - HP | 32,3 - 43,9 |
| Displacement | cc | 1.826 |
| Number of cylinders | n° | 3 |
| Cooling | water | |
| Consumption | lt/h | 5,4 |
| Alternator | V (A) | 12 (60) |
| Battery | V (Ah) | 12 (75) |

HYDRAULIC SYSTEM

| | | |
|---|---|-------------|
| Circuit Type | Load Sensing closed center system with "Flow Sharing" control valve | |
| Pump type | 1 LS hydraulic variable pump with electronic control + 1 gear pump | |
| Pump displacement | cc | 53 + 11 |
| Pump capacity | lt/min | 115 + 24 |
| Max. circuit calibration pressure | bar | 280 |
| Auxiliary systems (max pressure): | lt/min (bar) | |
| AUX 1 single or double effect with priority | | 60 (200) |
| AUX 2 double effect (optional) | | 40/30 (280) |

PERFORMANCES

| | | |
|--|--------------------|---------------|
| Max. digging depth with standard arm (optional arm) | mm | 3.085 (3.335) |
| Max. dumping height with standard arm (optional arm) | mm | 3.660 (3.820) |
| Bucket breaking force (standard arm) ISO 6015 | daN | 4.300 |
| Arm breaking force (standard arm) ISO 6015 | daN | 2.200 |
| Traction force | daN | 4.260 |
| Ground bearing pressure with rubber tracks and canopy (with cabin) | kg/cm ² | 0,29 (0,30) |
| Max. slope | 60% - 30° | |

DIMENSIONS

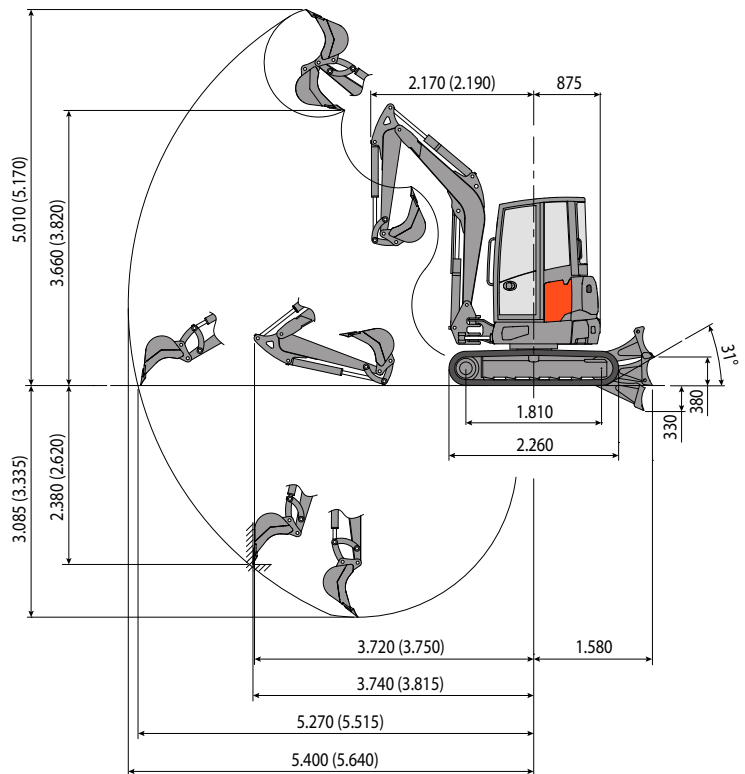
| | | |
|-----------------------------------|----|---------------|
| Maximum width | mm | 1.750 |
| Total height | mm | 2.510 |
| Rear rotation radius | mm | 875 |
| Digging arm length std (optional) | mm | 1.400 (1.650) |
| Tracks width | mm | 350 |
| Rollers number (for each side) | n° | 5/1 |

FILLINGS

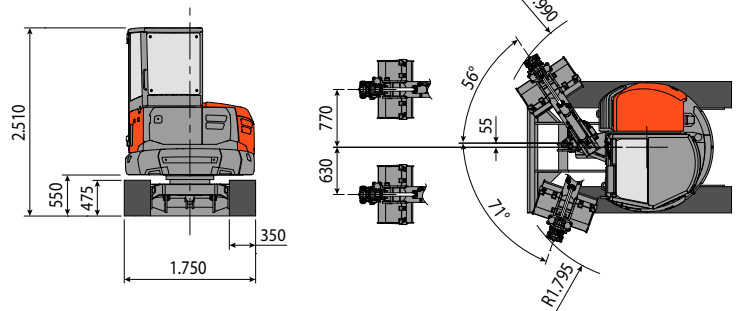
| | | |
|----------------------------|----|----|
| Fuel tank | lt | 60 |
| Hydraulic oil tank | lt | 50 |
| Hydraulic circuit capacity | lt | 65 |
| Cooling system capacity | lt | 9 |
| Engine oil | lt | 7 |

CONTROLS

| | |
|--|--|
| Boom, dipper stick, bucket and turret swing | 2 pilot joysticks |
| Tracks movement (included counter rotation) | 2 pilot levers |
| Dozer blade | pilot lever |
| Priority auxiliary system with holding function AUX 1 (single or double effect) | electroproportional switch on right joystick |
| Auxiliary system AUX 2 (double effect) | electroproportional switch on right joystick |
| Boom swing | electroproportional switch on left joystick |



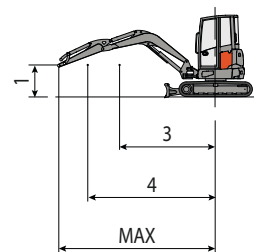
Standard dipper stick L=1.400
(Optional dipper stick L=1.650)



LIFTING CAPACITY

Opening arm from the rotation's center (m)
Lifting capacity (kg) at 1.0 m height

| | 3 | 4 | MAX |
|---------------------------------|-------|-------|-------|
| Frontal and lowered dozer blade | 1.620 | 1.150 | 1.030 |
| Frontal and lifted dozer blade | 1.040 | 680 | 540 |
| Lateral | 680 | 450 | 360 |

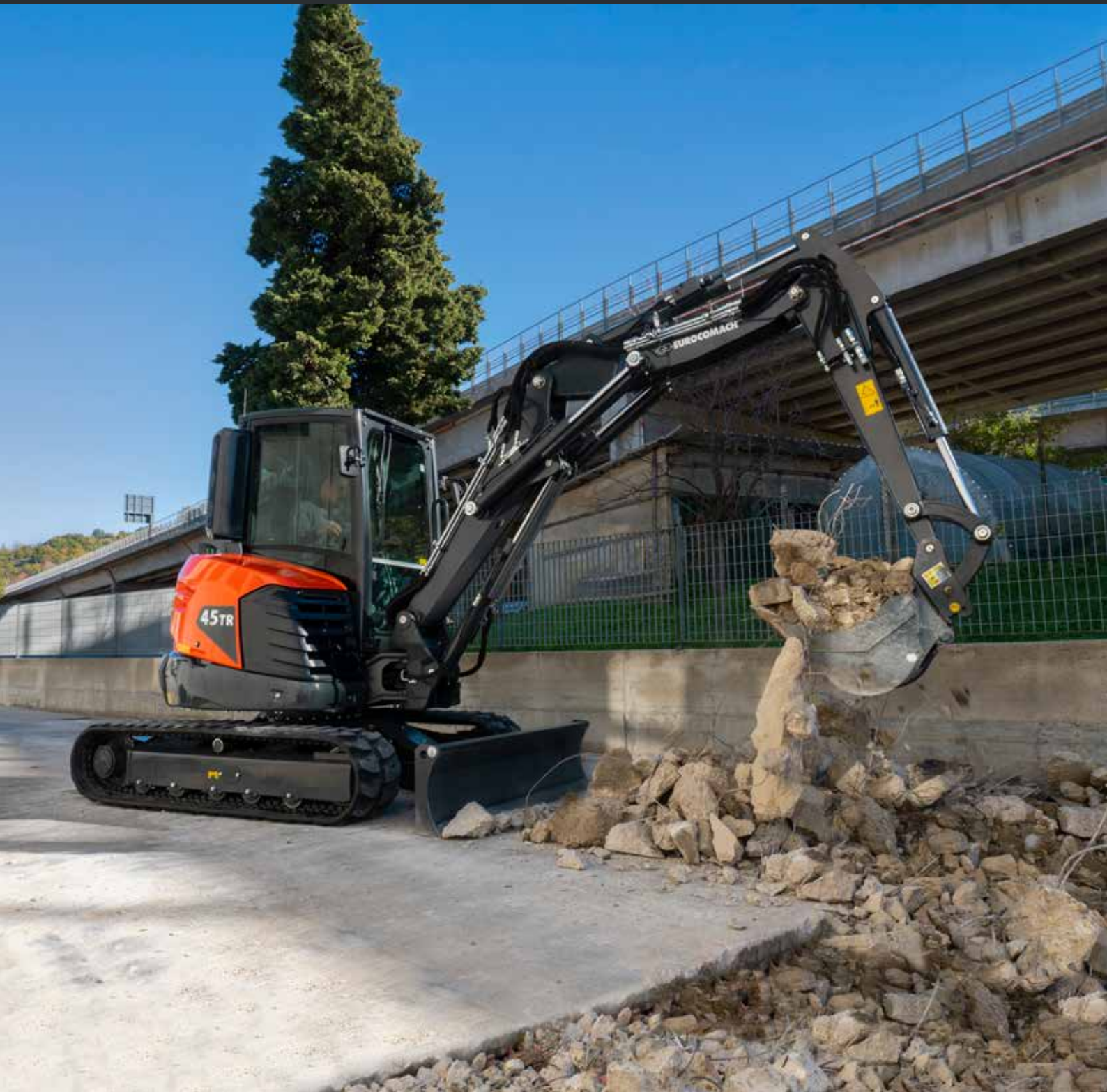


The lifting capacity is based on the ISO 10567 and it does not exceed more than the 75% of static tipping load or more than the 87% of the hydraulic lifting capacity of the machine.

 **EUROCOMACH**

These pictures may include optional rather than standard settings. Technical features are not binding and may be modified without notice in any moment.

45TR



Concrete solutions. Always.

Engine D1803-CR-T

Engine power 32,3 kW - 43,9 HP

Operating Weight 4.450 - 4.600 kg

 **EUROCOMACH®**

45TR

| | | |
|---|------|-----------------------------|
| Operating weight with canopy (with rubber tracks) | kg | 4.450 |
| Operating weight with cabin (with rubber tracks) | kg | 4.600 |
| Travelling speed (AUTO TWO SPEED) | km/h | 1a : 0 ÷ 2,6 / 2a : 0 ÷ 4,5 |
| Slew speed | rpm | 10,5 |

| ENGINE | | |
|------------------------|-----------------------------|-------------|
| Type | KUBOTA D1803-CR-T - STAGE 5 | |
| Max. Power (2.300 rpm) | kW - HP | 32,3 - 43,9 |
| Displacement | cc | 1.826 |
| Number of cylinders | n° | 3 |
| Cooling | water | |
| Consumption | lt/h | 5,4 |
| Alternator | V (A) | 12 (60) |
| Battery | V (Ah) | 12 (75) |

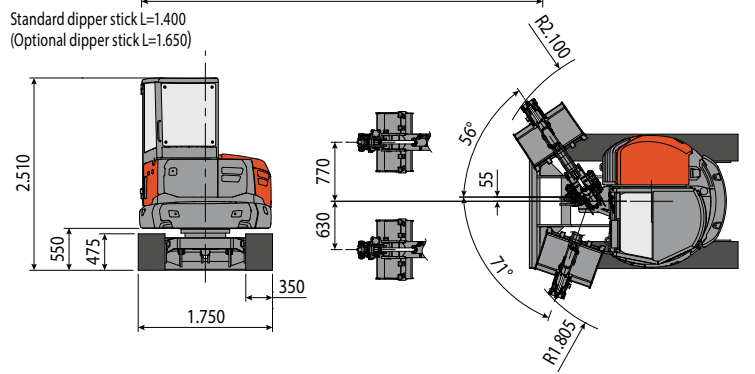
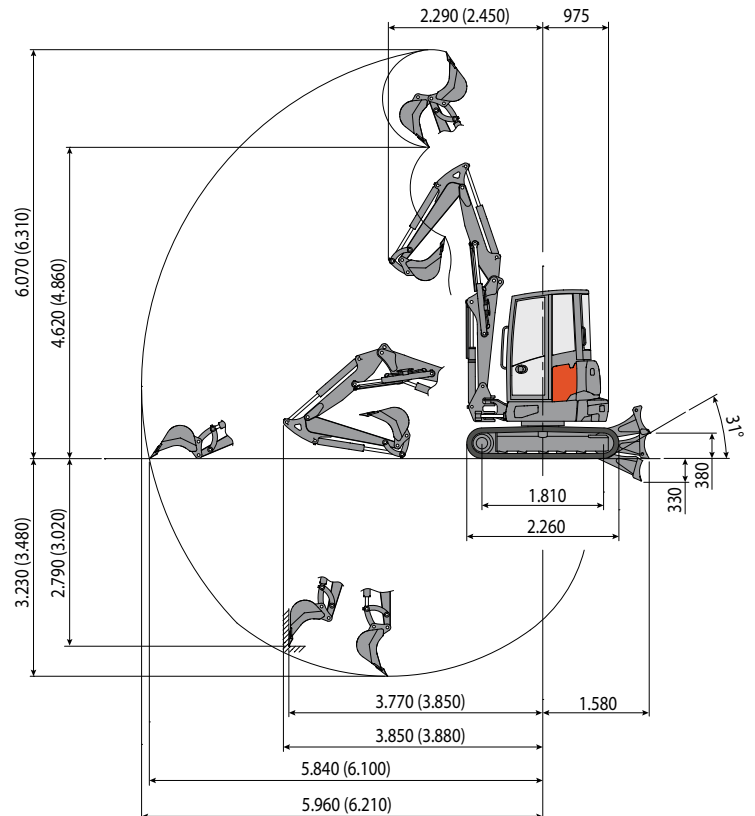
| HYDRAULIC SYSTEM | | |
|---|---|----------|
| Circuit Type | Load Sensing closed center system with "Flow Sharing" control valve | |
| Pump type | 1 LS hydraulic variable pump with electronic control + 1 gear pump | |
| Pump displacement | cc | 53 + 11 |
| Pump capacity | lt/min | 115 + 24 |
| Max. circuit calibration pressure | bar | 280 |
| Auxiliary systems (max pressure): | lt/min (bar) | |
| AUX 1 single or double effect with priority | 60 (200) | |
| AUX 2 double effect (optional) | 40/30 (280) | |

| PERFORMANCES | | |
|--|--------------------|---------------|
| Max. digging depth with standard arm (optional arm) | mm | 3.230 (3.480) |
| Max. dumping height with standard arm (optional arm) | mm | 4.620 (4.860) |
| Bucket breaking force (standard arm) ISO 6015 | daN | 4.300 |
| Arm breaking force (standard arm) ISO 6015 | daN | 2.200 |
| Traction force | daN | 4.260 |
| Ground bearing pressure with rubber tracks and canopy (with cabin) | kg/cm ² | 0,32 (0,33) |
| Max. slope | 60% - 30° | |

| DIMENSIONS | | |
|-----------------------------------|----|---------------|
| Maximum width | mm | 1.750 |
| Total height | mm | 2.510 |
| Rear rotation radius | mm | 975 |
| Digging arm length std (optional) | mm | 1.400 (1.650) |
| Tracks width | mm | 350 |
| Rollers number (for each side) | n° | 5/1 |

| FILLINGS | | |
|----------------------------|----|----|
| Fuel tank | lt | 60 |
| Hydraulic oil tank | lt | 50 |
| Hydraulic circuit capacity | lt | 65 |
| Cooling system capacity | lt | 9 |
| Engine oil | lt | 7 |

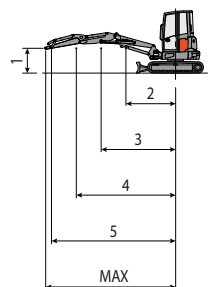
| CONTROLS | |
|---|--|
| Boom, dipper stick, bucket and turret swing | 2 pilot joysticks |
| Tracks movement (included counter rotation) | 2 pilot levers |
| Dozer blade | pilot lever |
| Priority auxiliary system with holding function AUX 1 (single or double effect) | electroproportional switch on right joystick |
| Auxiliary system AUX 2 (double effect) | electroproportional switch on right joystick |
| Boom swing | electroproportional switch on left joystick |



LIFTING CAPACITY

Opening arm from the rotation's center (m)
Lifting capacity (kg) at 1.0 m height

| | 2 | 3 | 4 | 5 | MAX |
|---------------------------------|-------|-------|-------|-----|-----|
| Frontal and lowered dozer blade | 2.220 | 1.160 | 1.030 | 920 | 850 |
| Frontal and lifted dozer blade | 2.220 | 1.160 | 780 | 530 | 490 |
| Lateral | 1.510 | 830 | 530 | 350 | 320 |



The lifting capacity is based on the ISO 10567 and it does not exceed more than the 75% of static tipping load or more than the 87% of the hydraulic lifting capacity of the machine.

 **EUROCOMACH**

These pictures may include optional rather than standard features. Technical features are not binding and may be modified without notice in any moment.

50zT



Concrete solutions. Always.

Engine V2403-CR-T

Engine power 42,6 kW - 57,9 HP

Operating weight 4.800 kg

 **EUROCOMACH**[®]

50zT

| | | |
|--|------|---------------------------|
| Operating weight with cabin (with rubber tracks) | kg | 4.800 |
| Travelling speed (AUTO TWO SPEED) | km/h | 1a: 0 ÷ 2,6 / 2a: 0 ÷ 4,5 |
| Slew speed | rpm | 10,5 |

ENGINE

| | | |
|------------------------|-----------------------------|-------------|
| Type | KUBOTA V2403-CR-T - STAGE 5 | |
| Max. Power (2.300 rpm) | kW - HP | 42,6 - 57,9 |
| Displacement | cc | 2.434 |
| Number of cylinders | n° | 4 |
| Cooling | water | |
| Consumption | lt/h | 6,9 |
| Alternator | V (A) | 12 (60) |
| Battery | V (Ah) | 12 (95) |

HYDRAULIC SYSTEM

| | | |
|---|---|----------|
| Circuit Type | Load Sensing closed center system with "Flow Sharing" control valve | |
| Pump type | 1 LS hydraulic variable pump with electronic control + 1 gear pump | |
| Pump displacement | cc | 65 + 14 |
| Pump capacity | lt/min | 143 + 24 |
| Max. circuit calibration pressure | bar | 280 |
| Auxiliary systems (max pressure): | lt/min (bar) | |
| AUX 1 single or double effect with priority | 70 (200) | |
| AUX 2 double effect (optional) | 40/30 (280) | |

PERFORMANCES

| | | |
|---|--------------------|---------------|
| Max. digging depth with standard arm (optional arm) | mm | 3.330 (3.580) |
| Max. dumping height with standard arm (optional arm) | mm | 3.920 (4.080) |
| Bucket breaking force (standard arm) ISO 6015 | daN | 4.300 |
| Arm breaking force (standard arm) ISO 6015 | daN | 2.350 |
| Traction force | daN | 5.420 |
| Ground bearing pressure with rubber tracks and cabine | kg/cm ² | 0,28 |
| Max. slope | 60% - 30° | |

DIMENSIONS

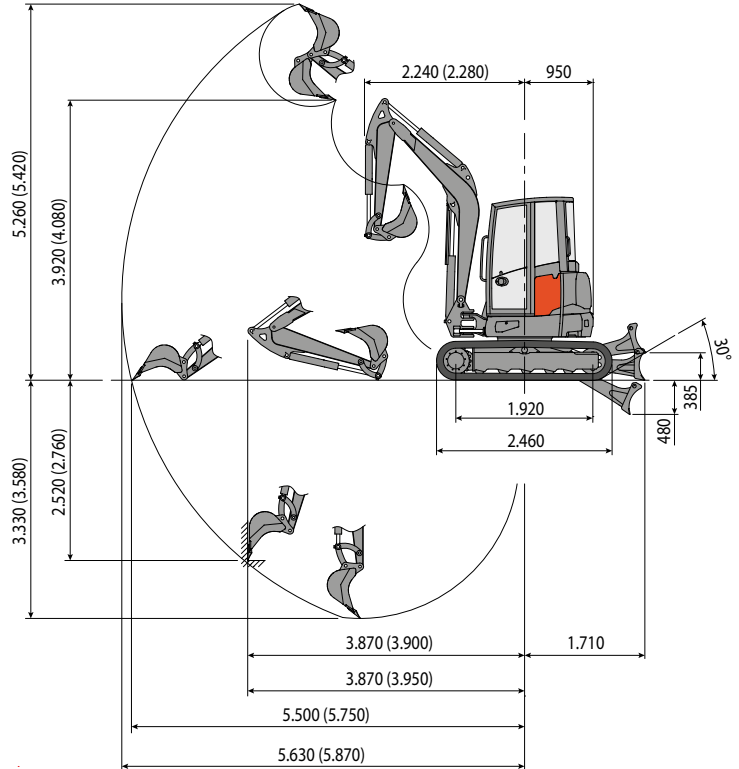
| | | |
|-----------------------------------|----|---------------|
| Maximum width | mm | 1.900 |
| Total height | mm | 2.570 |
| Rear rotation radius | mm | 950 |
| Digging arm length std (optional) | mm | 1.500 (1.750) |
| Tracks width | mm | 400 |
| Rollers number (for each side) | n° | 5/1 |

FILLINGS

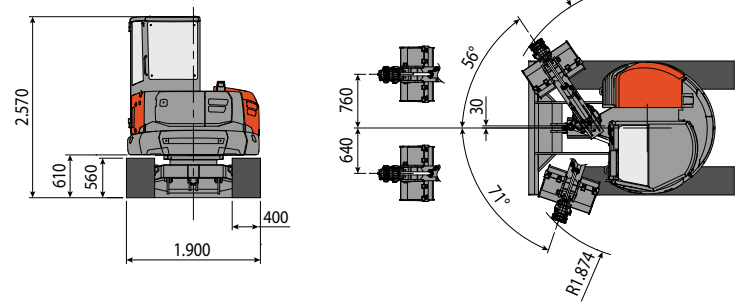
| | | |
|----------------------------|----|-----|
| Fuel tank | lt | 75 |
| Hydraulic oil tank | lt | 65 |
| Hydraulic circuit capacity | lt | 85 |
| Cooling system capacity | lt | 11 |
| Engine oil | lt | 9,5 |

CONTROLS

| | |
|---|--|
| Boom, dipper stick, bucket and turret swing | 2 pilot joysticks |
| Tracks movement (included counter rotation) | 2 pilot levers |
| Dozer blade | pilot lever |
| Priority auxiliary system with holding function AUX 1 (single or double effect) | electroproportional switch on right joystick |
| Auxiliary system AUX 2 (double effect) | electroproportional switch on right joystick |
| Boom swing | electroproportional switch on left joystick |



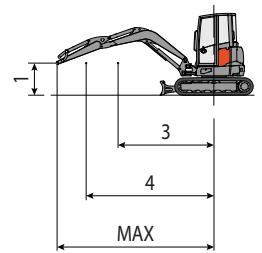
Standard dipper stick L=1.500
(Optional dipper stick L=1.750)



LIFTING CAPACITY

Opening arm from the rotation's center (m)
Lifting capacity (kg) at 1.0 m height

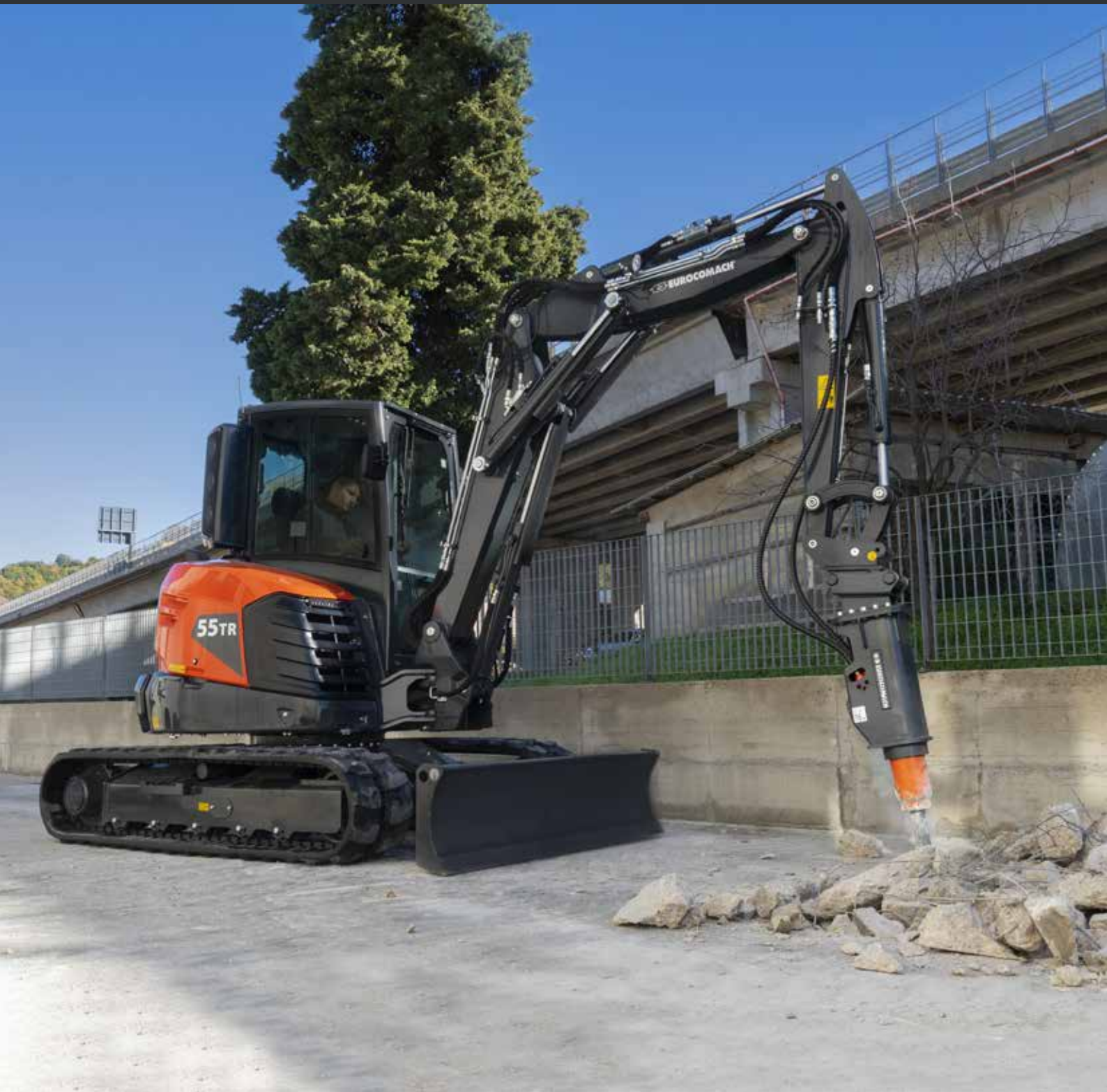
| | 3 | 4 | MAX |
|---------------------------------|-------|-------|-------|
| Frontal and lowered dozer blade | 1.820 | 1.270 | 1.080 |
| Frontal and lifted dozer blade | 1.430 | 940 | 700 |
| Lateral | 980 | 660 | 490 |



The lifting capacity is based on the ISO 10567 and it does not exceed more than the 75% of static tipping load or more than the 87% of the hydraulic lifting capacity of the machine.

 **EUROCOMACH**

55TR



Concrete solutions. Always.

Engine V2403-CR-T

Engine power 42,6 kW - 57,9 HP

Operating weight 5.250 kg

 **EUROCOMACH®**

55TR

| | | |
|---------------------------------------|------|---------------------------|
| Operating weight (with rubber tracks) | kg | 5.250 |
| Travelling speed (AUTO TWO SPEED) | km/h | 1a: 0 ÷ 2,6 / 2a: 0 ÷ 4,5 |
| Slew speed | rpm | 10,5 |

ENGINE

| | | |
|-----------------------|------------------------------------|-------------|
| Type | KUBOTA V2403-CR-T - STAGE 5 | |
| Max Power (2.300 rpm) | kW - HP | 42,6 - 57,9 |
| Displacement | cc | 2.434 |
| Number of cylinders | n° | 4 |
| Cooling | water | |
| Consumption | lt/h | 6,9 |
| Alternator | V (A) | 12 (60) |
| Battery | V (Ah) | 12 (95) |

HYDRAULIC SYSTEM

| | | |
|---|---|----------|
| Circuit Type | Load Sensing closed center system with "Flow Sharing" control valve | |
| Pump type | 1 LS hydraulic variable pump with electronic control + 1 gear pump | |
| Pump displacement | cc | 65 + 14 |
| Pump capacity | lt/min | 143 + 24 |
| Max. circuit calibration pressure | bar | 280 |
| Auxiliary systems (max pressure): | lt/min (bar) | |
| AUX 1 single or double effect with priority | 70 (200) | |
| AUX 2 double effect (optional) | 40/30 (280) | |

PERFORMANCES

| | | |
|--|--------------------|---------------|
| Max. digging depth with standard arm (optional arm) | mm | 3.490 (3.740) |
| Max. dumping height with standard arm (optional arm) | mm | 5.030 (5.270) |
| Bucket breaking force (standard arm) ISO 6015 | daN | 4.300 |
| Arm breaking force (standard arm) ISO 6015 | daN | 2.350 |
| Traction force | daN | 5.420 |
| Ground bearing pressure with rubber tracks | kg/cm ² | 0,31 |
| Max. slope | 60% - 30° | |

DIMENSIONS

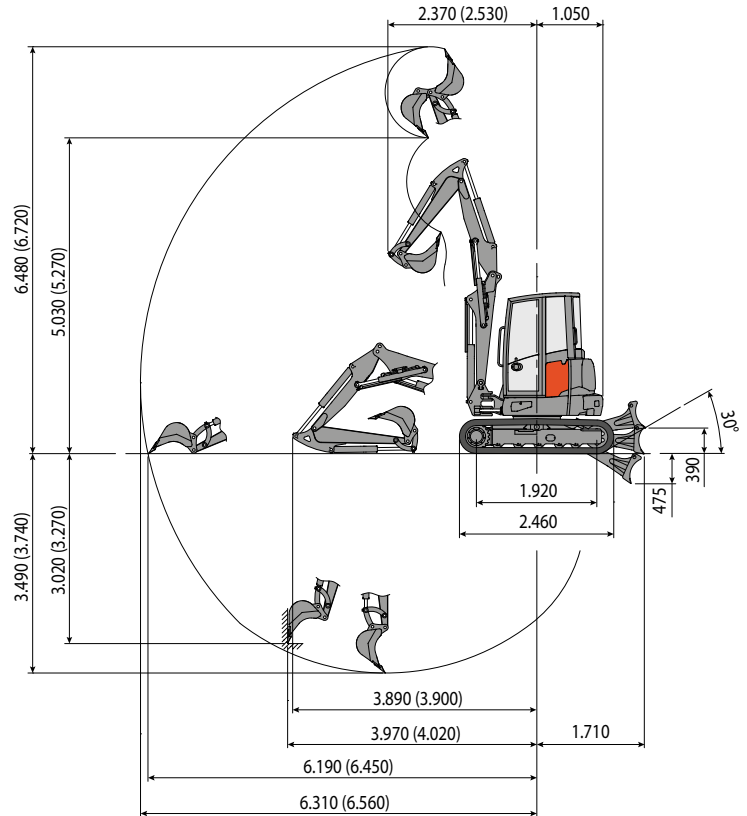
| | | |
|-----------------------------------|----|---------------|
| Maximum width | mm | 1.900 |
| Total height | mm | 2.570 |
| Rear rotation radius | mm | 1.050 |
| Digging arm length std (optional) | mm | 1.500 (1.750) |
| Tracks width | mm | 400 |
| Rollers number (for each side) | n° | 5/1 |

FILLINGS

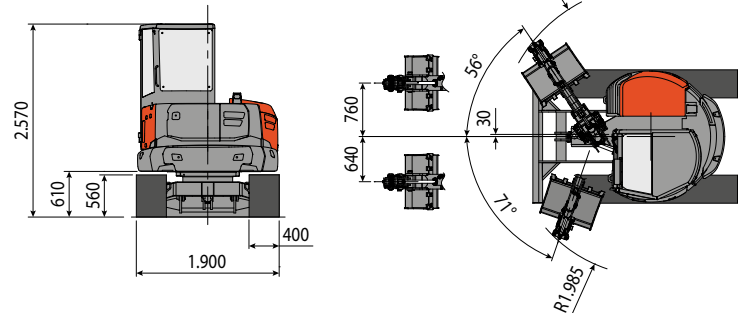
| | | |
|----------------------------|----|-----|
| Fuel tank | lt | 75 |
| Hydraulic oil tank | lt | 65 |
| Hydraulic circuit capacity | lt | 85 |
| Cooling system capacity | lt | 11 |
| Engine oil | lt | 9,5 |

CONTROLS

| | |
|---|--|
| Boom, dipper stick, bucket and turret swing | 2 pilot joysticks |
| Tracks movement (included counter rotation) | 2 pilot levers |
| Dozer blade | pilot lever |
| Priority auxiliary system with holding function AUX 1 (single or double effect) | electroproportional switch on right joystick |
| Auxiliary system AUX 2 (double effect) | electroproportional switch on right joystick |
| Boom swing | electroproportional switch on left joystick |



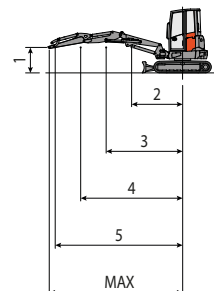
Standard dipper stick L=1.500
(Optional dipper stick L=1.750)



LIFTING CAPACITY

Opening arm from the rotation's center (m)
Lifting capacity (kg) at 1.0 m height

| | 2 | 3 | 4 | 5 | MAX |
|---------------------------------|-------|-------|-------|-------|-----|
| Frontal and lowered dozer blade | 3.050 | 1.520 | 1.230 | 1.130 | 970 |
| Frontal and lifted dozer blade | 3.050 | 1.520 | 1.040 | 710 | 590 |
| Lateral | 2.070 | 1.140 | 740 | 500 | 410 |



The lifting capacity is based on the ISO 10567 and it does not exceed more than the 75% of static tipping load or more than the 87% of the hydraulic lifting capacity of the machine.

 **EUROCOMACH**