

WHEEL LOADER
HL975A CVT



READY TO CHANGE YOUR WORLD

The HL975A CVT Wheel Loader is part of Hyundai's brand new A-series: a fresh generation of construction equipment that complies with the European Stage V emission levels. But it goes much further than that! While fulfilling regulatory demands, Hyundai aimed for a ground-breaking level of customer satisfaction with maximum performance and productivity, better safety, more convenience and improved uptime management.

From its robust exterior design to its performance-enhancing smart technologies, the HL975A CVT opens up a world of new possibilities where tiny efforts move mountains. It's time to experience the Hyundai Effect!



Productivity & Efficiency

CVT: MAXIMISING PRODUCTIVITY AND FUEL EFFICIENCY IN TOUGH WORKING CONDITIONS

The HL975A CVT is powered by a robust Stage V-certified Cummins X12 engine combined with a ZF Continuously Variable Transmission (CVT). A range of new technologies have been integrated to enhance fuel efficiency, keep harmful emissions to a minimum and deliver the power you need for heavy-duty work in extreme conditions.



Engine

The Cummins X12 engine meets European Stage V emissions requirements and is designed for maximum productivity and fuel savings. Like all A-Series machines, the HL975A CVT features our all-in-one exhaust aftertreatment system which cuts emissions and operating costs. By removing the need for EGR, this also enhances reliability and simplifies maintenance.



Why choose CVT?

The state-of-the-art ZF CVT-transmission offers optimised power matching, continually changing the ratios of hydraulic to mechanical energy (depending on load and speed) to keep the engine in a low rpm range and offer smooth, seamless acceleration. During deceleration, the CVT acts as a brake, reducing wear on the service brake and prolonging the life of the axle oil.

A range of new electronically controlled operating modes allow operators to tailor machine performance for maximum efficiency on any job.



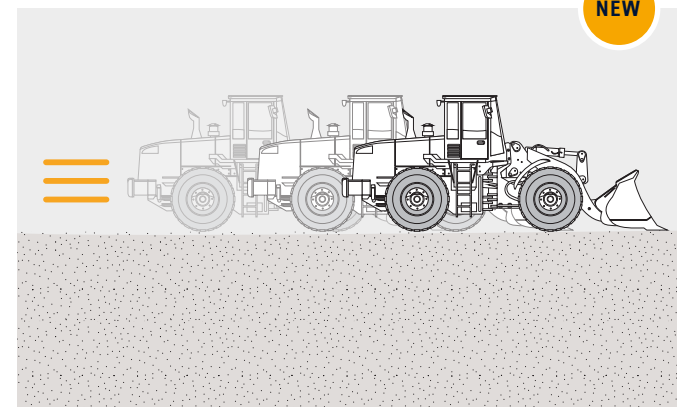
Traction Mode

The adjustable traction control system contributes to highly efficient job cycles while also minimising tire slip and effectively reducing wear.



Creep Mode

This mode enables the machine to stay in slow driving motion when FWD/ REV gear is selected. It assists the operator when precise travelling is needed.



Dynamic Mode

In most applications, the CVT only requires a low engine rpm. The Dynamic Mode allows the operator to use full engine power up to 1800 rpm for even faster job cycles.



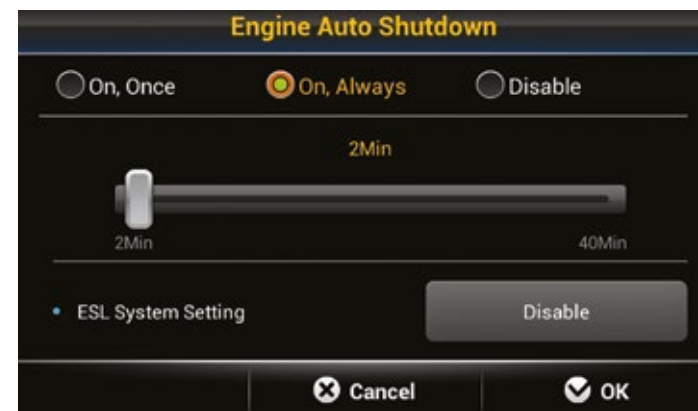
Productivity & Efficiency

PRECISE OPERATION FOR SMOOTH, EFFICIENT PERFORMANCE

Precise operating systems help you to get the most out of this mighty machine, including optimised power matching for the ultimate balance of torque and RPM. Compared to conventional transmission, the Powerline concept can deliver fuel savings of up to 30%, depending on the application, as well as smooth performance in high-load work like digging. Hyundai's proprietary weighing system technology is integrated as standard. Additional control, monitoring and maintenance features help you to optimise performance and productivity every single day, on any worksite.



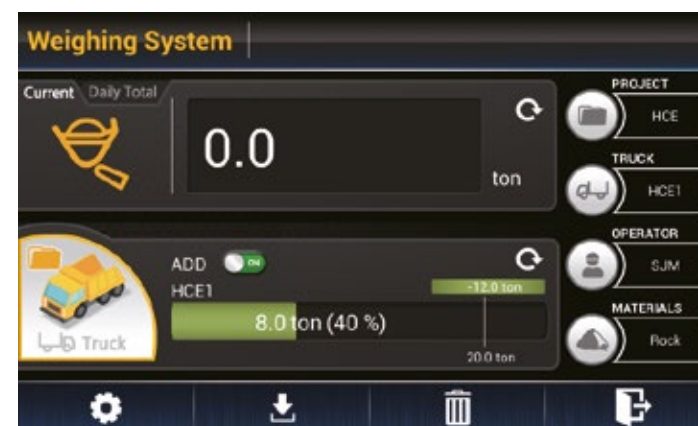
Automatic engine shutdown
 The engine shuts down automatically when the machine is at rest to cut fuel consumption and prevent unnecessary emissions. Different operating modes and idling times can be selected according to the work environment, further enhancing efficiency.



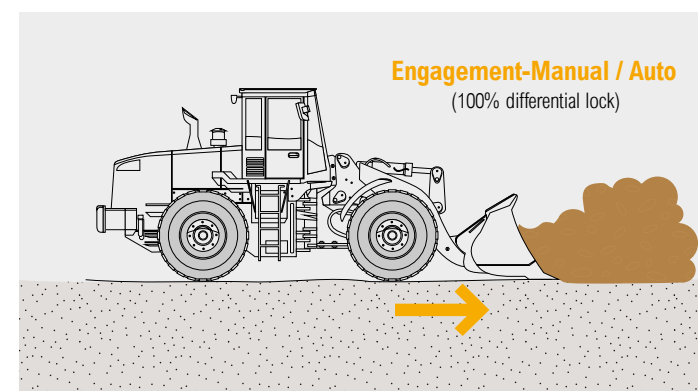
Eco Report
 The Eco Report feature makes it easy for operators to develop efficient working habits by displaying real-time information about machine performance.



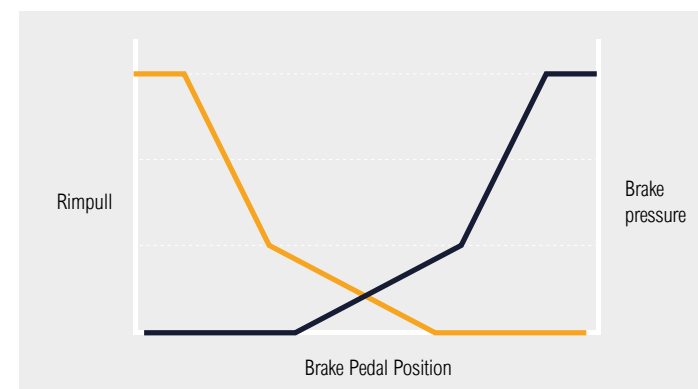
Weighing system
 The highly accurate automatic/manual cumulative weighing system helps you to manage production more efficiently in any environment. For maximum precision and follow-up, a dedicated weighing screen can be displayed on the main monitor. The display includes weighing error icons for effective operator support.



Hydraulic differential lock
 A hydraulic locking differential prevents tyre slip for more secure operation as well as better productivity and fuel economy.



Inching brake pedal
 The inching brake pedal applies the right amount of braking power while optimising the engine speed in various operating conditions and reducing wear on the brake discs.



Durability

TOUGH AND DURABLE FOR A RELIABLE RETURN ON YOUR INVESTMENT

To protect your business, you need to know that the investment you make today will sustain your profits over the long term. That's why we prioritised durability throughout the development of the HL975A CVT, from design and manufacturing to quality control. The axles, driveshaft and power split CVT system have been optimised for endurance and tested rigorously on a range of work sites. The result is a robust, reliable workhorse that minimises downtime for repairs and maintenance and helps you to protect your profits.

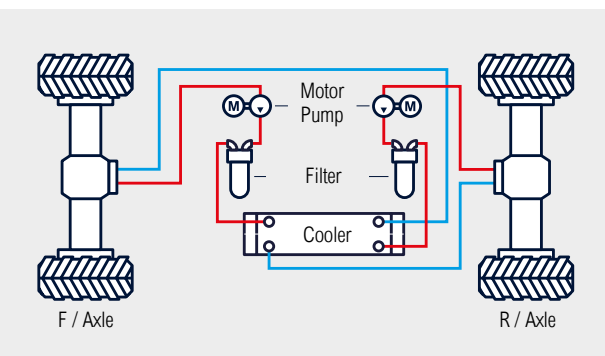


“The new power split CVT system was designed, built and tested for rock-solid reliability.”

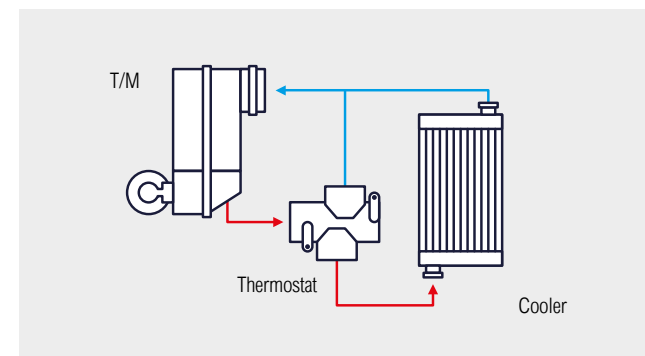
Hydraulic hoses
High-grade hoses with outstanding resistance to heat and pressure provide maximum durability, even in rough working conditions.



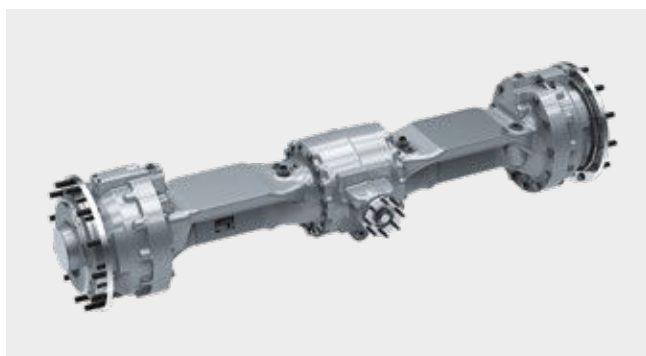
Axle oil cooling system
A separate axle oil cooling system is available as an option to prevent overheating during high-load work or tasks requiring frequent braking.



Thermostat for transmission cooling
The HL975A CVT is equipped with a thermostat for transmission oil cooling. This feature helps to warm up the fluid quickly and always keeps it at the optimal working temperature, protecting components and increasing efficiency.



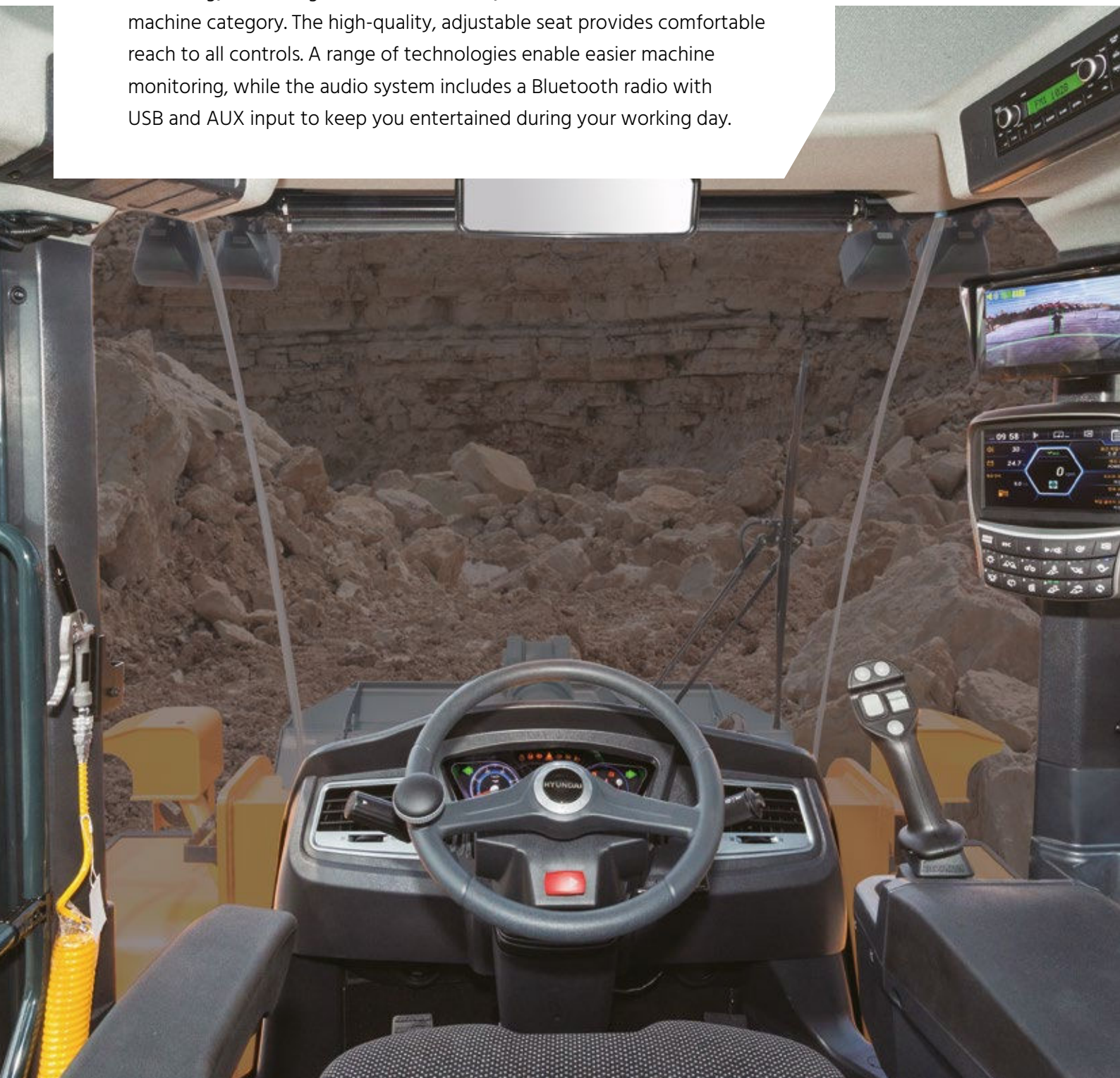
Premium quality axles
The HL975A CVT features premium quality axles with enhanced load capacity and sintered brake discs for better reliability and durability.



Operator Comfort

A CABIN DESIGNED AROUND YOU

The HL975A CVT cabin was designed to be a productive, stress-free working environment that fits every operator perfectly. Comfortable and spacious, it features state-of-the-art noise and vibration reduction technology, achieving a sound level of only 70 dB, one of the lowest in this machine category. The high-quality, adjustable seat provides comfortable reach to all controls. A range of technologies enable easier machine monitoring, while the audio system includes a Bluetooth radio with USB and AUX input to keep you entertained during your working day.



Adjustable seat and armrest

The HL975A CVT has a large, comfortable air suspension seat with heating as standard. The seat and armrest are fully adjustable for added comfort.



Remote door control

As an option, the cabin door can be opened remotely for added convenience and safety.

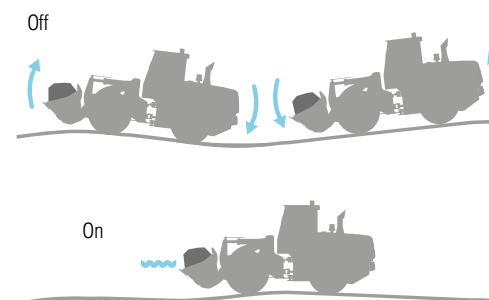


Air compressor

An optional air compressor can be mounted in the cabin to help operators keep their workspace pleasant and comfortable.

Ride control system

A ride control system with a piston accumulator reduces pitching of the wheel loader body and bucket for more stable and comfortable operation. It also minimises spillover, adding to convenience and productivity.



Touchscreen monitor

The instrument panel is optimised to provide quick, easy access to machine status information as you work. It features a seven-inch touchscreen monitor for excellent legibility. You can connect your Android™ mobile device through Miracast™.



Soft end stop

The soft end stop function reduces the hydraulic speed of the cylinder as it reaches the end of its stroke. This lessens the shock load of the stroke for increased operating comfort and better material retention.



Instrument cluster

All the indicators displaying machine status are centralised in one cluster to enable easy, efficient control.



Safety

CREATING A SAFE WORKING ENVIRONMENT

Details can make a huge difference when it comes to safety, especially if you're working in rough conditions. It's not just a matter of complying with rules. The HL975A CVT's safety features are designed and tested to meet your needs in the real world, even offering an extra pair of eyes with the optional All-Around View Monitoring (AAVM) and radar systems. Operating confidence is improved by technologies that provide a feeling of stability and smooth performance in high-load work. By helping to ensure a calm, accident-free worksite, this wheel loader adds to the productivity and peace of mind that are all part of the Hyundai Effect.



Advanced Around View Monitoring (AAVM) and Intelligent Moving Object Detection (IMOD)

The optional Advanced Around View Monitoring (AAVM) system gives you a 360° overview of your immediate working environment. It also includes Intelligent Moving Object Detection (IMOD) technology that senses and warns you when people or objects come within five metres of the machine.



Emergency stop switch

The engine can be shut down immediately using an emergency stop switch located at the base of the seat.



Seat belt warning alarm

Operators are reminded to fasten their safety belt by an audible and visible alarm.



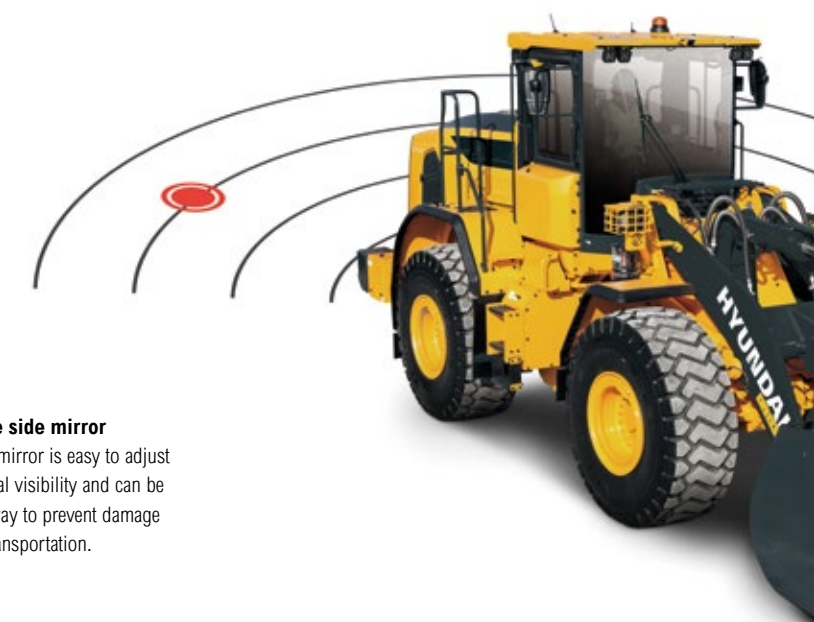
Foldable side mirror

The side mirror is easy to adjust for optimal visibility and can be folded away to prevent damage during transportation.

“For such a tough-looking machine, its performance is surprisingly smooth. It gives me extra confidence and a feeling of safety in any conditions.”

Radar system

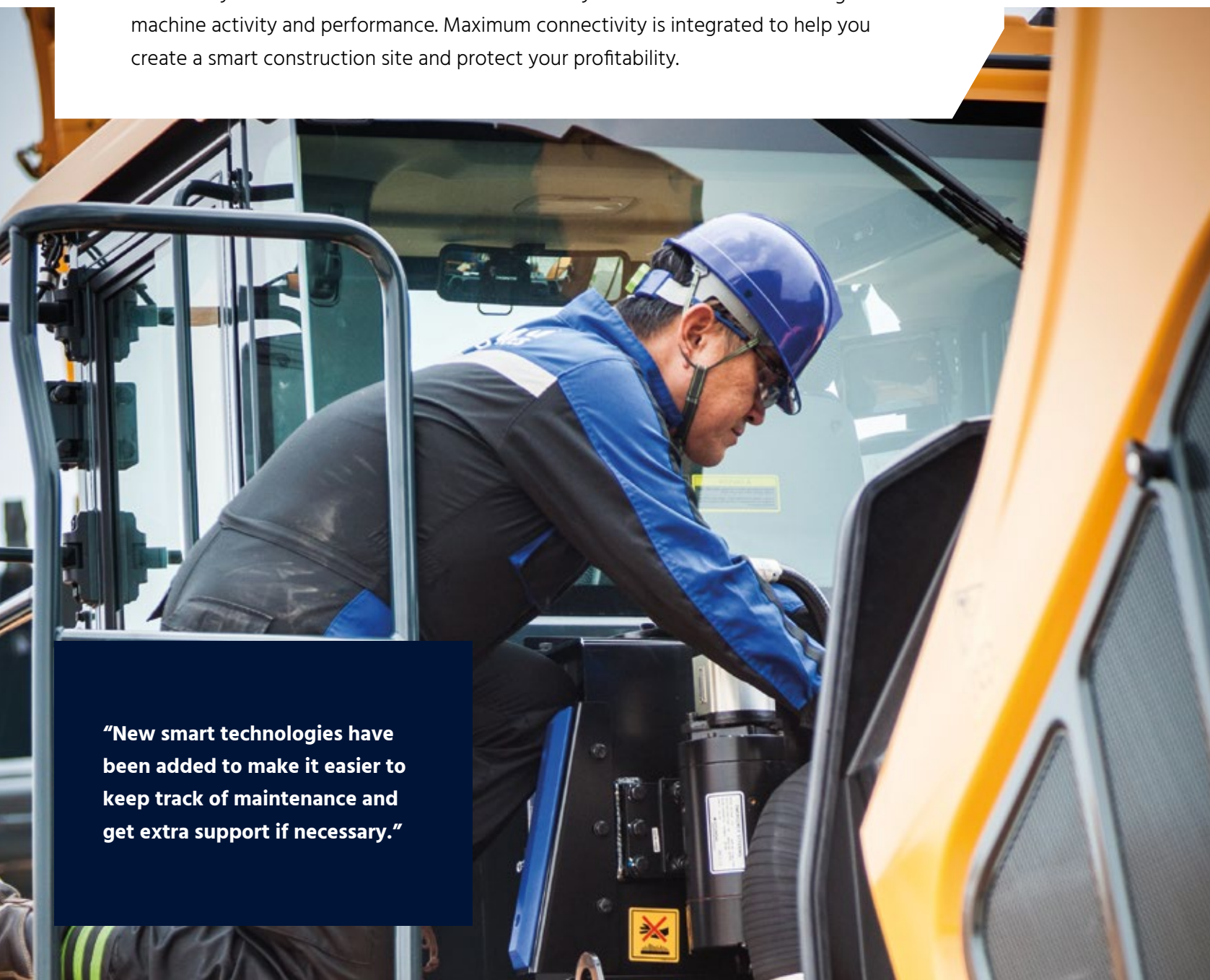
The optional radar system detects obstacles behind the machine day and night, with no blind spots. The distance between the obstacle and the loader is displayed on the secondary monitor.



Serviceability & Connectivity

ADVANCED DIAGNOSTICS AND SERVICING SUPPORT

The peace of mind that comes with quick, low-effort servicing is also part of the Hyundai Effect. The HL975A CVT is designed to make maintenance as convenient as possible. The engine hood opens wide to provide easy access for cleaning and routine tasks. All components and materials have been optimised to ensure a long, trouble-free life. Hyundai's innovative Hi MATE telematics system enables full monitoring of machine activity and performance. Maximum connectivity is integrated to help you create a smart construction site and protect your profitability.



"New smart technologies have been added to make it easier to keep track of maintenance and get extra support if necessary."



Auto greasing system
With the optional auto greasing system, grease is applied to lubrication points automatically when needed. The correct dosing is ensured and lubricant is applied uniformly, reducing grease consumption and eliminating waste.



Engine hood
The tilt-back engine hood is fully retractable and can be opened electrically for easy access to the sealed engine room and cooling room. The engine room is designed to prevent the possibility of fire caused by the inflow of foreign materials.



Airco filters
The air conditioning uses a 2-stage filtration system allowing easy replacement of the filters.



Cooling system
The HL975A CVT has dependable wide-core and fin coolers that prevent performance degradation caused by contamination. On top it is equipped with a regulated, automatic/ manual reversible fan.

HiMATE

Boost efficiency and performance

For maximum convenience and security, the HL975A CVT features Hyundai's exclusive Hi MATE remote fleet management system, which uses mobile data technology to provide the highest level of service and support. You can monitor your equipment wherever you are via a dedicated website or mobile app, with access to working parameters like total engine hours, machine utilisation, actual performed working hours, fuel consumption and machine location.



ECD (Engine Connected Diagnostics)
ECD provides troubleshooting advice as well as tailored servicing and parts support from Cummins Quick Serve. Service technicians are supported with remote diagnostics reports allowing them to prepare for site visits and bring the right tools.



Increase productivity
By providing information such as service hours, idle time and fuel consumption, Hi MATE saves you money and improves productivity. Service alerts enable better maintenance planning.

Monitor your machines
Hi MATE's real-time location information allows better, more convenient monitoring of your equipment. Just log onto the Hi MATE website or mobile app to see your machines at any time, from any location. Receive data online, by e-mail or directly on your mobile device.

Improve security
Protect your equipment from theft or unauthorised usage. Hi MATE's geofencing alerts notify you automatically when a machine leaves a predetermined zone.

Parts & Warranties

HYUNDAI GENUINE PARTS AND WARRANTIES: THE BEST WAY TO PROTECT YOUR INVESTMENT

Hyundai Genuine parts, accessories and warranty programmes are specially designed to keep your machine covered. They increase uptime and maintain the performance, comfort, and convenience that are built into your equipment.



A network you can rely on

Hyundai Construction Equipment Europe prioritises quick, reliable intervention to keep your equipment running reliably. In the 13000 m² warehouse, Hyundai covers over 96% of all Genuine Parts. With one of Europe's most advanced automated warehousing systems, we are able to maintain availability and efficient delivery of all our Genuine Parts. Moreover, we guarantee a 24-hour delivery service across our European dealer network.



Fuel filters

Hyundai fuel filters provide the right degree of filtration to keep your engine clean. They are designed to meet and exceed the engine manufacturer's prerequisites for water separation and dirt filtration, prolonging the life of your engine.



Hyundai Genuine parts

Hyundai Genuine parts have the same design as those installed when your machine left the factory. They are subjected to rigorous quality inspections and tests to make sure they meet Hyundai's strict requirements for quality and durability. As well as minimising downtime, this helps to ensure peak performance on every task.



Aftermarket kits

You can order Hyundai aftermarket kits via your dealer. This AAVM system for example, improves safety in and around your working environment at all times.



Hyundai warranties

Our warranties are also designed to give you the cover you need to build your business with confidence and peace of mind.

Standard warranties

We offer standard warranty coverages for all wheel loaders. Next to this standard coverage, optional and extended warranty periods are available, so you can benefit from full warranty coverage for longer, and even over the full lifetime of the machines. Please discuss the optimal solution for your needs with your local Hyundai dealer.

Extended warranties

Our extended warranties help you maintain full control over your operating costs. If you combine an extended warranty programme with a tailored maintenance contract, you can completely avoid unexpected costs.

Walk-around

HL975A CVT

Productivity & Efficiency

- Continuously Variable Transmission (CVT) **NEW**
- Traction Mode **NEW**
- Dynamic Mode **NEW**
- Creep Mode **NEW**
- Inching brake pedal
- Accurate weighing system
- Eco Report **NEW**
- Hydraulic differential lock
- Automatic engine shutdown
- Optimised power matching

Durability

- Optimised axles
- Axle cooling **OPTION**
- Thermostat-based transmission cooling
- Optimised drive shaft
- High grade hoses

Operator Comfort

- Spacious soundproofed cabin
- Wide touchscreen monitor
- Centralised instrument cluster
- Ride control system
- Fully adjustable seat and armrest **NEW**
- Remote door control **NEW** **OPTION**
- Air compressor **NEW** **OPTION**
- Soft end stop

Serviceability

- ECD (Engine Connected Diagnostics) **NEW**
- Fully openable engine hood
- Hi-MATE telematic system
- Easy filter replacement
- Auto greasing system **OPTION**
- Wide core & fin radiator
- Regulated, automatic reversible fan

Safety

- Radar rear detection **NEW** **OPTION**
- Foldable side mirror **NEW**
- Seat belt warning alarm **NEW**
- Emergency stop switch **NEW**
- AAVM camera system **OPTION**
- IMOD (Intelligent Moving Object Detection) **OPTION**



SPECIFICATIONS

ENGINE	
Maker / Model	CUMMINS / X12 EU Stage V
Type	6 cylinder, watercooled, 4-cycle, turbocharged charge aircooled, direct injection, electronic controlled diesel engine
Aftertreatment technology	Wastegate turbocharger DOC/DPF/SCR
Gross Power (SAE J1995)	335 HP (250 kW) at 2,100 rpm
Net Power (SAE J1349)	331 HP (247 kW) at 2,100 rpm
Max. Power	381 HP (284 kW) at 1,700 rpm
Peak Gross Torque (SAE J1995)	1,765 Nm (1,302 lb.ft) at 1,400 rpm
Displacement	11.8 L (720 cu in)

TRANSMISSION		
Type	CVT Continuously Variable Transmission	
Hydraulic Module	1 Pump / 1 Motor double yoke piston type	
Travel speed	Virtual gears (default) km/h (mph)	
Forward	1st	7.0 (4.3)
	2nd	11.0 (6.8)
	3rd	26.0 (16.1)
	4th	36.0 (22.4)
Reverse	1st	7.0 (4.3)
	2nd	11.0 (6.8)
	3rd	26.0 (16.1)

AXLES	
Drive System	Four-wheel drive system
Mount	Fixed
Rear Axle Oscillation	Oscillating ±11 degrees
Hub Reduction	Planetary reduction at wheel end
Differential	Conventional
Reduction Ratio	27.0

OVERVIEW		
Description	HL975A CVT	HL975A CVT XT
Operating weight	26,500 kg (58,425 lb)	27,295 kg (60,180 lb)
Bucket capacity	Heaped	4.8 m ³ (6.3 yd ³)
	Struck	4.1 m ³ (5.3 yd ³)
Breakout force-bucket	23,435 kg (51,670 lb)	23,290 kg (51,350 lb)
Tipping load	Straight	19,800 kg (43,655 lb)
	Full turn	17,200 kg (37,920 lb)

TYRES	
Type	Tubeless, loader design tires
Standard	26.5R25, **, L3
Option	26.5R25, *, XHA

BRAKES	
Service Brakes	Hydraulically actuated, wet sinter disc brakes actuate all 4 wheels independent axle-by-axle system. Self adjusting & wheel speed brake.
Parking Brake	Spring-applied, hydraulically released brake
Emergency Brake	When brake oil pressure drops, indicator light alerts operator and parking brake automatically applies.

CABIN	
ROPS / FOPS meet ISO 3471 and ISO 3449	

HYDRAULIC SYSTEM		
Type	Load sensing hydraulic system	
Pump	Variable displacement piston pump 376 lpm	
Control Valve	2 Spool (Bucket, Boom), standard 3 Spool (Bucket, Boom, Aux), optional	
System Pressure	280 bar	
Lift Circuit	The valve has four functions: Raise / Hold / Lower / Float Adjustable automatic kickout lifting and lowering position.	
Tilt Circuit	The valve has three functions: Tilt back / Hold / Dump Adjustable automatic bucket positioner to desired load angle.	
Cylinder	Type: double acting	
	No. of cylinders-bore × stroke	
	Lift	2-170 × 795 mm 2-6.7" × 2' 7.3"
	HL975A CVT Tilt	1-190 × 565 mm 1-7.5" × 1' 10.2"
HL975A CVT XT Tilt	1-190 × 585 mm 1-7.5" × 1' 11.0"	
Cycle Time	Raise : 6.5 Sec. / Dump : 1.9 Sec. Lower : 4.4 Sec. / Total : 12.8 Sec.	

* Hyundai Bio Hydraulic Oil (HBHO) available

STEERING SYSTEM	
Type	Load sensing hydrostatic articulated steering
Pump	Variable displacement piston pump 216 lpm
System Pressure	210 bar
Cylinder	Double acting
	2-100 × 467 mm 2-3.9" × 1' 6.4"
Steering Angle	40° to both right and left angle, respectively
Features	Center-point frame articulation. Tilt and telescopic steering column.

SERVICE REFILL CAPACITIES		
UNIT	l	US gal
Fuel tank	400	105.7
DEF tank	44.5	11.8
Cooling system	45.5	12.0
Engine oil	34	9.0
Transmission	62	16.4
Front axle	62	16.4
Rear axle	42	11.1
Hydraulic tank	166	43.9
Hydraulic system (including tank)	300	79.3

AIR CONDITIONING SYSTEM	
The air conditioning system of this machine contains fluorinated greenhouse gas refrigerant R134a (GWP = 1430). The system contains 0.75 kg of refrigerant (1.07 metric tonne CO2 equivalent).	

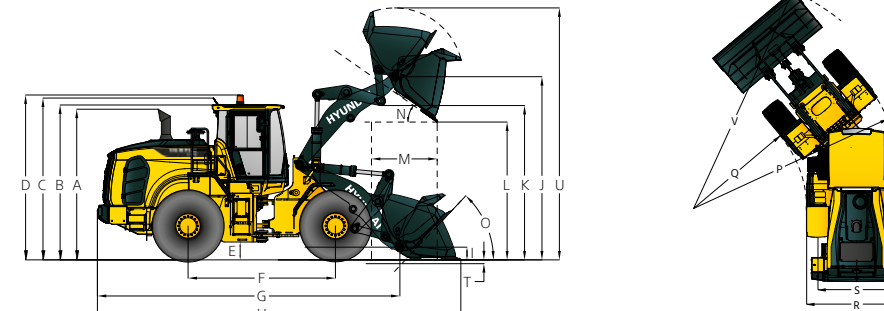
SOUND	
Guaranteed noise level presented below can be differed depending on a range of factors such as operating condition, speed of a cooling fan, types of engine and so forth. Hearing protection shall be necessary if an operator is working in the improperly maintained cabin or exposed to a noisy environment by leaving doors and/or windows open.	
With Cooling Fan Speed at Maximum Value:	
Operator sound pressure level (ISO 6396:2008)	70 dB(A)
Exterior sound power level (ISO 6395:2008)	108 dB(A)

* Distance of 15 m (49.2 ft), moving forward in second gear ratio.

DIMENSIONS

DIMENSIONS

All dimensions are approximate.



Description	HL975A CVT		HL975A CVT XT	
	mm	ft-in	mm	ft-in
A Height to Top of Exhaust Pipe	3,620	11' 11"	3,620	11' 11"
B Height to Top of Cabin	3,590	11' 9"	3,590	11' 9"
C Height to Top of Product Link Antenna	3,665	12' 0"	3,665	12' 0"
D Height to Top of Warning Beacon	3,720	12' 2"	3,720	12' 2"
E Ground Clearance	460	1' 6"	460	1' 6"
F Wheelbase	3,550	11' 8"	3,550	11' 8"
G Overall Length (Without Bucket)	7,780	25' 6"	8,215	26' 11"
H Shipping Length (With Bucket Level on Ground)	9,205	30' 2"	9,640	31' 8"
I Hinge Pin Height at Carry Position	520	1' 8"	635	2' 1"
J Hinge Pin Height at Maximum Lift	4,425	14' 6"	4,790	15' 9"
K Lift Arm Clearance at Maximum Lift	3,755	12' 4"	4,105	13' 6"
L Dump Clearance at Maximum Lift and 45° Discharge	3,120	10' 3"	3,485	11' 5"
M Reach at Maximum Lift and 45° Discharge	1,335	4' 5"	1,420	4' 8"
N Dump Angle at Maximum Lift and Dump (on Stops)			48	
O Roll Back Angle	Ground			43
	Carry			49
P Clearance Circle (Diameter) to Outside of Tyres	13,045	42' 10"	13,045	42' 10"
Q Clearance Circle (Diameter) to Inside of Tyres	6,965	22' 10"	6,965	22' 10"
R Width Over Tyres (Unloaded)	2,975	9' 9"	2,975	9' 9"
S Tread Width	2,300	7' 7"	2,300	7' 7"

OPERATING SPECIFICATIONS WITH BUCKETS

Linkage	Standard Linkage					High Lift Linkage	
	General Purpose - Pin On				General Purpose - Hook On		
Bucket Type							
Edge Type	Bolt-On Cutting Edges		1 Piece Tooth	2 Piece Tooth	Bolt-On Cutting Edges		
Capacity - Rated	m ³	4,80	5,20	4,60	5,00	4,60	4,80
	yd ³	6,30	6,80	6,00	6,50	6,00	6,30
Capacity - Rated at 110% Fill Factor	m ³	5,28	5,72	5,06	5,50	5,06	5,28
	yd ³	6,90	7,50	6,60	7,20	6,60	6,90
Width	mm	3,250	3,250	3,300	3,300	3,320	3,250
	ft/in	10' 8"	10' 8"	10' 10"	10' 10"	10' 11"	10' 8"
Dump Clearance at Maximum Lift and 45° Discharge	mm	3,120	3,075	2,995	2,950	2,960	2,910
	ft/in	10' 3"	10' 1"	9' 10"	9' 8"	9' 9"	9' 7"
Reach at Maximum Lift and 45° Discharge	mm	1,335	1,385	1,420	1,470	1,445	1,540
	ft/in	4' 5"	4' 7"	4' 8"	4' 10"	4' 9"	5' 1"
A'. Digging Depth	mm	100	100	125	125	135	100
	ft/in	0' 4"	0' 4"	0' 5"	0' 5"	0' 5"	0' 4"
Shipping Length (with Bucket)	mm	9,205	9,270	9,355	9,420	9,400	9,500
	ft/in	30' 2"	30' 5"	30' 8"	30' 11"	30' 10"	31' 2"
B'. Overall Height with Bucket at Maximum Lift	mm	6,090	6,225	6,090	6,225	6,090	6,225
	ft/in	19' 12"	20' 5"	19' 12"	20' 5"	19' 12"	20' 8"
C'. Loader Clearance Circle with Bucket at Carry Position	mm	14,730	14,780	14,880	14,930	14,930	14,980
	ft/in	48' 4"	48' 6"	48' 10"	48' 12"	48' 12"	48' 11"
Static Tipping Load, Straight (No Tyre Deflection)	kg	19,800	19,520	20,080	19,800	20,080	19,800
	lb	43,655	43,035	44,270	43,655	44,270	43,655
Static Tipping Load, Articulated (No Tyre Deflection)	kg	17,200	16,950	17,450	17,200	17,450	17,200
	lb	37,920	37,370	38,475	37,920	38,475	37,920
Breakout Force	kg	23,435	22,425	24,725	23,590	24,725	23,590
	lb	51,670	49,440	54,510	52,010	54,510	52,010
Operating Weight*	kg	26,500	26,625	26,395	26,520	26,395	27,115
	lb	58,425	58,700	58,195	58,470	58,195	59,780

* All height and tyre related dimensions are with standard 26.5R25, **, L3 tyres

DENSITY AND BUCKET SELECTION

DENSITY OF OPERATING MATERIALS		
Loose Material	Material Density [ton / m ³]	Possible Bucket Fill [%]
Earth / Clay	1.5 ~ 1.7	~110
Sand and Gravel	1.5 ~ 1.7	~105
Aggregate	25 ~ 76 mm (1" to 3 in)	~100
	19 mm (0.75 in) and larger	

HL975A CVT BUCKET SELECTION CHART

Standard Lift Arm - General Purpose Bucket																	
Type	m ³ (yd ³)	Material Density [ton / m ³]															
		0.8 (1,349)	0.9 (1,517)	1.0 (1,686)	1.1 (1,854)	1.2 (2,023)	1.3 (2,191)	1.4 (2,360)	1.5 (2,528)	1.6 (2,697)	1.7 (2,865)	1.8 (3,034)	1.9 (3,203)	2.0 (3,371)	2.1 (3,540)	2.2 (3,708)	2.3 (3,878)
Cutting edge	4.8 (6.28)	5.5 m ³ (7.19 yd ³)							4.6 m ³ (6.02 yd ³)								
	5.2 (6.80)	6.0 m ³ (7.85 yd ³)										4.9 m ³ (6.41 yd ³)					
1 pc Bolt on tooth	4.6 (6.02)	5.3 m ³ (6.93 yd ³)							4.4 m ³ (5.75 yd ³)								
	5.0 (6.54)	5.8 m ³ (7.59 yd ³)										4.8 m ³ (6.23 yd ³)					
2 pc Bolt on tooth	4.6 (6.02)	5.3 m ³ (6.93 yd ³)							4.4 m ³ (5.75 yd ³)								
	5.0 (6.54)	5.8 m ³ (7.59 yd ³)										4.8 m ³ (6.23 yd ³)					
Cutting edge, QC	4.8 (6.30)	5.5 m ³ (7.19 yd ³)							4.6 m ³ (6.02 yd ³)								

High Lift Arm (XT) - General Purpose Bucket																	
Type	m ³ (yd ³)	Material Density [ton / m ³]															
		0.8 (1,349)	0.9 (1,517)	1.0 (1,686)	1.1 (1,854)	1.2 (2,023)	1.3 (2,191)	1.4 (2,360)	1.5 (2,528)	1.6 (2,697)	1.7 (2,865)	1.8 (3,034)	1.9 (3,203)	2.0 (3,371)	2.1 (3,540)	2.2 (3,708)	2.3 (3,878)
Cutting edge	4.8 (6.28)	5.5 m ³ (7.19 yd ³)							4.6 m ³ (6.02 yd ³)								
	5.2 (6.80)	6.0 m ³ (7.85 yd ³)										4.9 m ³ (6.41 yd ³)					
1 pc Bolt on tooth	4.6 (6.02)	5.3 m ³ (6.93 yd ³)							4.4 m ³ (5.75 yd ³)								
	5.0 (6.54)	5.8 m ³ (7.59 yd ³)										4.8 m ³ (6.23 yd ³)					
2 pc Bolt on tooth	4.6 (6.02)	5.3 m ³ (6.93 yd ³)							4.4 m ³ (5.75 yd ³)								
	5.0 (6.54)	5.8 m ³ (7.59 yd ³)										4.8 m ³ (6.23 yd ³)					
Cutting edge, QC	4.8 (6.30)	5.5 m ³ (7.19 yd ³)							4.6 m ³ (6.02 yd ³)								



CABIN & INTERIOR	STD
ALARMS, AUDIBLE AND VISUAL	
Central warning lamp	•
Engine coolant temperature	•
Transmission oil temperature	•
Hydraulic oil temperature	•
Fuel level	•
Transmission error	•
Air filter clogging	•
Engine oil pressure	•
Battery voltage	•
Brake oil pressure	•
Engine stop	•
Engine coolant level	•
Parking brake	•
High beam	•
Joystick steering	•
FNR	•
Differential Lock	•
Pilot cut off	•
Turning light	•
Seat belt ON/OFF	•
Engine auto stop	•
Clutch Cut Off	•
Ride control	•
LCD DISPLAY	
DEF level	•
DEF low level	•
Transmission gear range	•
Clock and fault code	•
Job time and distance	•
Operating hour counter	•
Engine rpm	•
GAUGES	
Engine coolant temperature	•
Fuel level	•
Transmission oil temperature	•
Speedometer	•
BATTERIES	
1315 CCA, 12 V, 2 pcs	•
LIGHTING SYSTEM	
LED interior cabin light	•
4 Turn signals	•
2 Stop and tail lights	•
2 Stop and tail lights (LED)	•
2 Head lights on front frame	•
2 Head lights (LED) on front frame	•
2 Working lights on front cabin roof	•
2 Working lights on rear cabin roof	•
4 Working lights (LED) on front cabin roof	•
2 Working lights (LED) on rear cabin roof	•
2 Working lights on rear grill	•
2 Working lights (LED) on rear grill	•
IGNITION	
Standard Key	•
Smart key with start/stop button	•
SWITCHES	
Hazard	•
DPF	•
Engine hood open	•
Parking brake	•
Battery master switch	•
FNR shifter	•
Differential Lock foot switch	•
Emergency steering	•
Pilot cut off	•
Air compressor	•
Horn, electric	•
MEMBRANE SWITCHES IN MONITOR	
Main light	•
Work light	•
Auto grease	•
Quick coupler	•
Ride control	•
Weighing System	•
Beacon light	•
Rear wiper	•
Mirror heat	•
Auto position (boom/ bucket)	•
Fine modulation	•
Rear view camera activation	•

CABIN & INTERIOR	STD
CABIN (SOUND SUPPRESSED)	
ROPS/ FOPS Cabin	•
Cigar lighter & ashtray	•
Coat hook	•
Rear view mirror (1 Inside)	•
Rear view mirrors (2 Outside, heated)	•
Steering column, tilt and telescopic	•
Steering wheel with knob	•
Roller type sunshade (Front window)	•
Roller type sunshade (Rear window)	•
Tinted safety glass	•
1 cabin door (LH)	•
Magazine pocket	•
Radio / USB player with Bluetooth	•
Rubber floor mat	•
Wrist rest	•
24 V to 12 V DC converter (20 A)	•
DOOR	
Door and cabin locks, standard key	•
Doors, service access (Locking)	•
Doors, service access (Remote opener)	•
Remote cabin door opener system	•
AUTOMATIC CLIMATE CONTROL	
Air conditioner & heater	•
Defroster	•
Intermittent wiper and washer, front and rear	•
SEAT	
Air suspended, heated seat	•
Mechanical suspended, heated seat	•
PERSONAL STORAGE SPACE	
Console box	•
Holder, can and cup	•
PEDALS	
Single brake pedal	•
Accel pedal without ECO switch	•
Accel pedal with ECO switch	•

ENGINE	STD
Alternator, 110A	•
Antifreeze	•
Fuel warmer	•
Fan guard	•
Rain cap, engine air intake	•
Coolant level sight gauge	•
Centrifugal air precleaner	•
Radiator wide core	•
ENGINE, CUMMINS, X12	
EU STAGE V / EPA TIER 4 FINAL	•
Engine fuel priming pump	•
Fuel / water separator	•
Engine oil level dipstick gauge	•
CLEAN EMISSION MODULE	
DOC, SCR, DPF	•

POWER TRAIN	STD
TRANSMISSION	
CVT (Power Split Type)	•
Transmission oil sight level	•
BRAKE	
Service brake (Enclosed wet-disc)	•
Parking brake	•
FRONT AXLE	
Hydraulic lock differential	•
Open differential	•
Limited Slip differential	•
REAR AXLE	
Open differential	•
Limited Slip differential	•
Dual axle cooling system	•
TYRES	
26.5 R25, **, L3	•
26.5 R25, *, XHA	•

SAFETY	STD
Boom safety bar	•
Emergency steering	•
OBJECT DETECTION	
IMOD (Intelligent Moving Object Detection)	•
AAVM (Advanced Around View Monitoring)	•
Secondary Monitor	•
Radar	•
TELEMATICS	
Hi MATE	•
ECD (Engine Connected Diagnostics)	•

HYDRAULIC SYSTEM	STD
MCV 2 spools (boom/ bucket)	•
MCV 3 spools (boom/ bucket/ aux)	•
Boom positioning system (automatic)	•
Bucket positioning system (automatic)	•
Diagnostic pressure taps	•
Hydraulic Oil Level Sight Gauge	•
EH Control (Joystick)	•
EH Control (Fingertip)	•
EH Joystick steering	•
Ride control system	•
Secondary steering system	•
Extra piping-for auxiliary function	•
Quick coupler piping	•
Auto Greasing	•
Hyundai Bio Hydraulic Oil (HBHO)	•

OTHER	STD
Articulation locking bar	•
Lift and tie-down hooks	•
Loader linkage, sealed	•
Z-kinematics	•
Extended Boom (Highlift)	•
ISO type quick coupler	•
Vandalism protection caplocks	•
Tool kit	•

BUCKET	STD
4.8 m ³ Bucket Tooth, Cutting edge	•
5.2 m ³ Bucket Tooth, Cutting edge	•
4.6 m ³ Bucket 1 Piece Tooth	•
5.0 m ³ Bucket 1 Piece Tooth	•
4.6 m ³ Bucket 2 Piece Tooth	•
5.0 m ³ Bucket 2 Piece Tooth	•
4.8 m ³ Bucket Tooth, Cutting edge ISO type QC	•
COUNTERWEIGHT	
Counterweight	•
Counterweight - Heavy weight	•
Drawbar with pin	•
ACCESS	
Handrails (LH/ RH) ergonomical located	•
Ladders (LH/ RH) slip resistant	•
Platforms (LH/ RH) slip resistant	•
Steps ergonomical located, slip resistant	•
GUARDS	
Transmission	•
Fenders (Front / Rear)	•
Mud Guard	•
Cabin glass (Front / Rear)	•

* Standard and optional equipment may vary. Contact your Hyundai dealer for more information. The machine may vary according to International standards.

* The photos may include attachments and optional equipment that are not available in your area.

* Materials and specifications are subject to change without advance notice.

* All imperial measurements rounded off to the nearest pound or inch.



Specifications and design are subject to change without notice. Pictures of Hyundai Construction Equipment Europe products may show other than standard equipment.

Hyundai Construction Equipment Europe nv.
Hyundailaan 4, 3980 Tessenderlo, Belgium.
Tel: (32) 14-56-2200 Fax: (32) 14-59-3405

EN - 2020.05 Rev 0

Ready to experience the Hyundai Effect?

Contact your Hyundai dealer.
hyundai-ce.eu/en/dealer-locator

