

SPECIFICATIONS

HX520^AL

Powered By Cummins Performance Series Engine

Net Power
395 HP (295 kW)
at 2,100 rpm

Standard Bucket
2.6 m³ (3.41 yd³)

Operating Weight
53,950 kg (118,940 lb)



ENGINE

Maker / Model	Cummins / X12
Type	Tier 4F/ Stage V Emission Certified, 6 cylinder diesel engine with passive regeneration.
Gross Power (SAE J1995)	298 kW (400 hp) at 2,100 rpm
Net Power (SAE J1349)	295 kW (395 hp) at 2,100 rpm
Max. Power	300 kW (403 hp) at 1,900 rpm
Max. Torque	1,898 N·m (1,400 lb-ft) at 1,400 rpm
Piston Displacement	11.8 l (720 cu in)

HYDRAULIC SYSTEM

MAIN PUMP

Type	Variable displacement tandem axis piston pumps
Max. Flow	2 × 394 lpm (2 × 104.0 US gpm)
Sub-Pump For Pilot (Gear Pump)	1 × 23.9 lpm (1 × 6.3 US gpm)

Cross-sensing and fuel saving pump system.

AUXILIARY PRESSURE

2 Way	Flow	26.4~200.8 GPM (100~760 LPM)
	Pressure	2,611~4,786 PSI (180~330 bar)
Rotating	Flow	15.9 gpm / (60 lpm)
	Pressure	4,062 psi / (280 bar)

HYDRAULIC MOTORS

Travel	Two speed axial pistons motor with brake valve and parking brake
Swing	Axial piston motor with automatic brake

RELIEF VALVE SETTING

Implement Circuits	330kgf/cm ² (4,694 psi)
Travel	360kgf/cm ² (5,120 psi)
Power Boost (Boom, Arm, Bucket)	360kgf/cm ² (5,120 psi)
Swing Circuit	285 kgf/cm ² (4,125 psi)
Pilot Circuit	40 kgf/cm ² (569 psi)
Service Valve	Installed

HYDRAULIC CYLINDERS

No. of Cylinder Bore X Stroke	Boom Ø170 × 1,580 mm
	Arm Ø190 × 1,820 mm
	Bucket Ø160 × 1,370 mm

DRIVES & BRAKES

Drive Method	Fully hydrostatic type
Drive Motor	Axial piston motor, in-shoe design
Reduction System	Planetary reduction gear
Max. Drawbar Pull	39,674 kgf (87,466 lbf)
Max. Travel Speed (High / Low)	3.3 km/hr (2.1 mph) / 5.3 km/hr (3.3 mph)
Gradeability	35° (70%)
Parking Brake	Multi wet disc

CONTROL

Pilot pressure operated joysticks and pedals provide almost effortless and fatigueless operation.

Pilot Control	Two joysticks with one safety lever (LH) : Swing and arm, (RH) : Boom and bucket (ISO)
Traveling and Steering	Two levers with pedals
Engine Throttle	Electric, dial type

OPERATING WEIGHT (APPROXIMATE)

Operating weight, including 7.06 m (23' 2") boom, 3.38 m (11' 1") arm, SAE heaped 2.2 m³ (2.88 yd³) bucket, lubricant, coolant, full fuel tank, full hydraulic tank, and all standard equipments.

OPERATING WEIGHT

Shoes		Operating Weight	Ground Pressure
Type	Width mm(in)	kg (lb)	kgf/cm ² (psi)
Triple Grouser	700 (28")	53,420 (117,771)	0.79 (11.3)
	800 (32")	53,950 (118,940)	0.70 (10.0)

SWING SYSTEM

Swing Motor	Axial piston motor
Swing Reduction	Planetary gear reduction
Swing Bearing Lubrication	Grease-bathed
Swing Brake	Multi wet disc
Swing Speed	9.0 rpm

COOLANT & LUBRICANT CAPACITY

	liter	US gal
Fuel Tank	600	158.4
Engine Coolant	50	13.2
Engine Oil	39	10.3
Swing Device	7	1.8
Final Drive (Each)	13	3.4
Hydraulic System (Including Tank)	499	131.7
Hydraulic Tank	275	72.6
Def/Adblue [®]	69	18.2

UNDERCARRIAGE

The X-leg type center frame is integrally welded with reinforced box-section track frames. The undercarriage includes lubricated rollers, idlers, track adjusters with shock absorbing springs and sprockets, and a track chain with double or triple grouser shoes.

Center Frame	X - Leg Type
Track Frame	Pentagonal Box Type
No. of Shoes on Each Side	53 EA
No. of Carrier Roller on Each Side	3 EA
No. of Track Roller on Each Side	9 EA
No. of Rail Guard on Each Side	2 EA

CAB NOISE LEVEL

Guaranteed noise level presented below can be differed depending on a range of factors such as operating condition, speed of a cooling fan, types of engine and so forth. Hearing protection shall be necessary if an operator is working in the improperly maintained cabin or exposed to a noisy environment by leaving doors and/or windows open. With cooling fan speed at maximum value:

Operator sound pressure level (ISO 6396:2008)	70 dB(A)
Exterior sound power level (ISO 6395:2008)	98 dB(A)

* Distance of 15 m (49.2 ft), moving forward in second gear ratio

SPECIFICATIONS HX520AL

Powered By Cummins Performance Series Engine

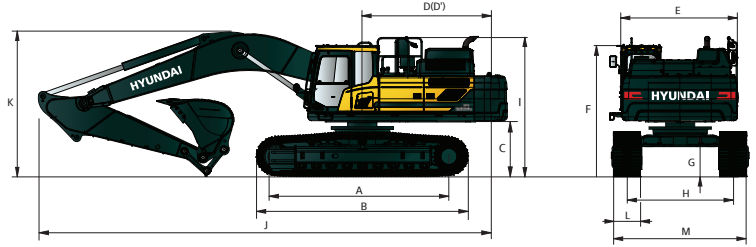
HX520AL DIMENSIONS

Unit: mm (ft-in)

6.55 m (21' 6"), 7.06 m (23' 2"), 9.0 m (29' 6") BOOM and 2.4 m (7' 10"), 2.55 (8' 4"), 2.9 m (9' 6"), 3.38 m (11' 1"), 4.0 m (13' 1"), 6.0 m (19' 8") ARM

A	Tumbler distance	4,470 (14' 8")
B	Overall length of crawler	5,416 (17' 9")
*C	Ground clearance of counterweight	1,445 (4' 9")
D	Tail-swing radius	3,945 (13' 0")
D'	Rear-end length	3,885 (12' 9")
E	Overall width of upper structure	2,980 (9' 9")
*F	Overall height of cab	3,365 (11' 0")
G	Min. ground clearance	770 (2' 6")
H	Track gauge	Extended 2,940 (9' 8")
		Retracted 2,380 (7' 10")
*I	Overall Height of Guardrail w/ Grouser	

* This figure includes the size of grouser.

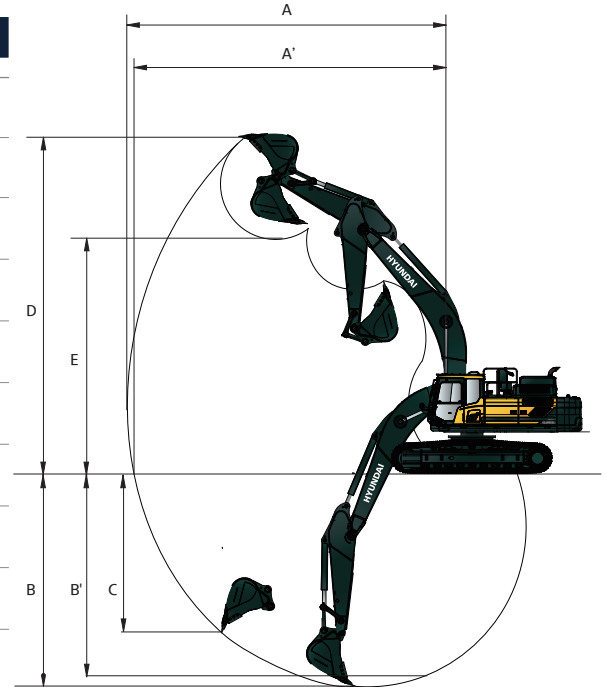


Boom length	6,550 (21' 6")		7,060 (23' 2")			9,000 (29' 6")		
Arm length	2,400 (7' 10")	2,550 (8' 4")	2,550 (8' 4")	2,900 (9' 6")	3,380 (11' 1")	4,000 (13' 1")	6,000 (19' 8")	
J Overall length	12,000 (39' 4")	12,260 (40' 3")	12,290 (40' 4")	12,380 (40' 7")	12,260 (40' 3")	12,250 (40' 2")	14,200 (46' 7")	
*K Overall height of boom	4,190 (13' 9")	3,980 (13' 1")	4,070 (13' 4")	3,920 (12' 10")	3,790 (12' 5")	4,090 (13' 5")	3,960 (13' 0")	
L Track shoe width	600 (24")		700 (28")		800 (32")		900 (35")	
M Overall gauge	Extended	3,540 (11' 7")		3,640 (11' 11")		3,740 (12' 3")		3,840 (12' 6")
	Retracted	2,980 (9' 9")		3,080 (10' 1")		3,180 (10' 5")		3,280 (10' 9")

HX520AL WORKING RANGE

Unit : mm (ft-in)

Boom length	6,550 (21' 6")		7,060 (23' 2")			9,000 (29' 6")	
Arm length	2,400 (7' 10")	2,550 (8' 4")	2,550 (8' 4")	2,900 (9' 6")	3,380 (11' 1")	4,000 (13' 1")	6,000 (19' 8")
A Max. digging reach	10,650 (34' 11")	10,860 (35' 8")	11,410 (37' 5")	11,620 (38' 1")	12,040 (39' 6")	12,600 (41' 4")	16,180 (53' 1")
A' Max. digging reach on ground	10,390 (34' 1")	10,610 (34' 10")	11,170 (36' 8")	11,380 (37' 4")	11,810 (38' 9")	12,380 (40' 7")	16,010 (52' 6")
B Max. digging depth	6,270 (20' 7")	6,420 (21' 1")	6,780 (22' 3")	7,130 (23' 5")	7,610 (25' 0")	8,230 (27' 0")	11,870 (38' 11")
B' Max. digging depth (8' level)	6,090 (20' 0")	6,250 (20' 6")	6,610 (21' 8")	6,980 (22' 11")	7,470 (24' 6")	8,110 (26' 7")	11,770 (38' 7")
C Max. vertical wall digging depth	4,360 (14' 4")	5,400 (17' 9")	5,570 (18' 3")	5,650 (18' 6")	5,770 (18' 11")	6,320 (20' 9")	8,360 (27' 5")
D Max. digging height	10,320 (33' 10")	10,730 (35' 2")	10,960 (35' 11")	11,080 (36' 4")	11,180 (36' 8")	11,410 (37' 5")	12,760 (41' 10")
E Max. dumping height	7,000 (23' 0")	7,220 (23' 8")	7,720 (25' 4")	7,630 (25' 0")	7,780 (25' 6")	8,020 (26' 4")	9,560 (31' 4")
F Min. swing radius	4,730 (15' 6")	4,390 (14' 5")	4,780 (15' 8")	4,890 (16' 1")	4,770 (15' 8")	4,630 (15' 2")	6,040 (19' 10")

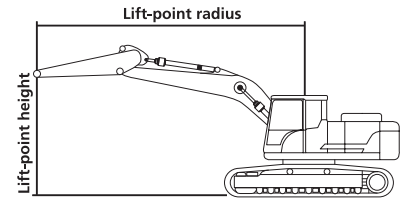


HX520AL DIGGING FORCE

Boom	Length	mm (ft-in)	6,550 (21' 6")			7,060 (23' 2")			9,000 (29' 6")	[] : Power Boost
	Weight	kg (lb)	4,340 (9,570)			4,370 (9,630)			5,130 (11,310)	
Arm	Length	mm (ft-in)	2,400 (7' 10")	2,550 (8' 4")	2,550 (8' 4")	2,900 (9' 6")	3,380 (11' 1")	4,000 (13' 1")	6,000 (19' 8")	
	Weight	kg (lb)	2,390 (5,270)	2,350 (5,180)	2,350 (5,180)	2,590 (5,710)	2,630 (5,800)	2,720 (6,000)	3,290 (7,250)	
Bucket Digging Force	SAE	kN	241.2 [263.2]	239.3 [261.1]	239.3 [261.1]	239.3 [261.1]	241.2 [263.2]	243.2 [265.3]	216.7	
		kgf	24,600 [26,840]	24,400 [26,620]	24,400 [26,620]	24,400 [26,620]	24,600 [26,840]	24,800 [27,050]	22,100	
		lbf	54,230 [59,170]	53,790 [58,690]	53,790 [58,690]	53,790 [58,690]	54,230 [59,170]	54,670 [59,630]	48,720	
	ISO	kN	280.5 [306.0]	278.5 [303.8]	278.5 [303.8]	278.5 [303.8]	280.5 [306.0]	282.4 [308.1]	252.0	
		kgf	28,600 [31,200]	28,400 [30,980]	28,400 [30,980]	28,400 [30,980]	28,600 [31,200]	28,800 [31,420]	25,700	
		lbf	63,050 [68,780]	62,610 [68,300]	62,610 [68,300]	62,610 [68,300]	63,050 [68,780]	63,490 [69,270]	56,660	
Arm Crowd Force	SAE	kN	274.6 [299.6]	232.7 [253.9]	232.7 [253.9]	220.7 [240.8]	191.2 [208.6]	170.6 [186.1]	121.6	
		kgf	28,000 [30,550]	23,730 [25,890]	23,730 [25,890]	22,500 [24,550]	19,500 [21,270]	17,400 [18,980]	12,400	
		lbf	61,730 [67,350]	52,320 [57,080]	52,320 [57,080]	49,600 [54,120]	42,990 [46,890]	38,360 [41,840]	27,340	
	ISO	kN	287.3 [313.4]	243.2 [265.3]	243.2 [265.3]	229.5 [250.4]	198.1 [216.1]	176.5 [192.6]	124.5	
		kgf	29,300 [31,960]	24,800 [27,050]	24,800 [27,050]	23,400 [25,530]	20,200 [22,040]	18,000 [19,640]	12,700	
		lbf	64,600 [70,460]	54,670 [59,630]	54,670 [59,630]	51,590 [56,280]	44,530 [48,590]	39,680 [43,300]	28,000	

SPECIFICATIONS HX520AL

Powered By Cummins Performance Series Engine



Lifting Capacity

Boom: 7,060 mm (23' 2")

Arm: 3,380 mm (11' 1")

Bucket: 2.2 m³ (2.88 yd³) SAE heaped

Shoe 800 mm (31") triple grouser, CWT 10,700 kg (23,589 lb)

Capacities based on North American Standard Configuration in accordance with ISO condition 2 standard.

Rating over front

Rating over side or 360 degree

Lift-point height m (ft)												At max. reach		
		3.0 m (9.8 ft)		4.5 m (14.8 ft)		6.0 m (19.7 ft)		7.5 m (24.6 ft)		9.0 m (29.5 ft)		Capacity		Reach
														m (ft)
9.0 m	kg													
29.5 ft	lb					*8110	*8110					*7600	*7600	7.57
						*17880	*17880					*16760	*16760	(24.8)
7.5 m	kg					*10420	*10420					*7220	*7220	8.69
24.6 ft	lb					*22970	*22970					*15920	*15920	(28.5)
6.0 m	kg					*10960	*10960			*10060	9720	*7140	*7140	9.43
19.7 ft	lb					*24160	*24160			*22180	21430	*15740	*15740	(30.9)
4.5 m	kg			*18880	*18880	*14230	*14230	*11840	*11840	*10420	9520	*7290	*7290	9.89
14.8 ft	lb			*41620	*41620	*31370	*31370	*26100	*26100	*22970	20990	*16070	*16070	(32.5)
3.0 m	kg			*22550	*22550	*16020	*16020	*12790	12100	*10880	9270	*7640	*7640	10.11
9.8 ft	lb			*49710	*49710	*35320	*35320	*28200	26680	*23990	20440	*16840	*16840	(33.2)
1.5 m	kg			*16320	*16320	*17280	15980	*13540	11690	*11240	9040	*8240	7650	10.10
4.9 ft	lb			*35980	*35980	*38100	35230	*29850	25770	*24780	19930	*18170	16870	(33.1)
Ground Line	kg			*19190	*19190	*17660	15570	*13840	11410	*11300	8870	*9200	7830	9.86
	lb			*42310	*42310	*38930	34330	*30510	25150	*24910	19550	*20280	17260	(32.4)
-1.5 m	kg	*14220	*14220	*22290	*22290	*17130	15430	*13510	11280	*10790	8820	*10110	8360	9.38
-4.9 ft	lb	*31350	*31350	*49140	*49140	*37770	34020	*29780	24870	*23790	19440	*22290	18430	(30.8)
-3.0 m	kg	*22270	*22270	*19870	*19870	*15630	15490	*12310	11320			*10000	9450	8.60
-9.8 ft	lb	*49100	*49100	*43810	*43810	*34460	34150	*27140	24960			*22050	20830	(28.2)
-4.5 m	kg	*19530	*19530	*16070	*16070	*12770	*12770					*9470	*9470	7.45
-14.8 ft	lb	*43060	*43060	*35430	*35430	*28150	*28150					*20880	*20880	(24.4)

NOTES:

- Lifting capacities are based on ISO 10567.
- Lifting capacity of the HX Series does not exceed 75% of tipping load with the machine on firm, level ground or 87% of full hydraulic capacity.
- The Lift-point is bucket pivot mounting pin on the arm (without bucket mass).
- (*) indicates load limited by hydraulic capacity.



HYDRAULIC SYSTEM	STD	OPT
------------------	-----	-----

INTELLIGENT POWER CONTROL (IPC)		
3-Power Mode, 2-Work Mode, User Mode	●	
Variable Power Control	●	
Pump Flow Control (Upgraded IPC)	●	
Attachment Mode Flow Control	●	
Engine Auto Idle	●	
Engine Auto Shutdown Control	●	

CAB & INTERIOR	STD	OPT
----------------	-----	-----

ISO STANDARD CABIN		
Cabin Lights (LED)		●
Cabin Front Window Rain Guard		●
Cabin Roof-Steel Cover		●
Rise-Up Type Windshield Wiper	●	
Radio / USB Player	●	
Handsfree Mobile Phone System with USB	●	
12 V Power Outlet (24 V DC to 12 V DC Converter)	●	
Electric Horn	●	
All-Weather Steel Cab with 360° Visibility	●	
Safety glass - Tempered glass	●	
Safety glass - Tempered glass with front laminated glass		●
Sliding Fold-In Front Window	●	
Sliding Side Window (LH)	●	
Lockable Door	●	
Hot & Cool Box	●	
Storage Compartment & Ashtray	●	
Transparent Cabin Roof-Cover	●	
Sun Visor	●	
Door and Cab Locks, One Key	●	
Mechanical Suspension Seat With Heater	●	
Pilot-Operated Slidable Joystick	●	
Console Box Height Adjust System	●	

AUTOMATIC CLIMATE CONTROL		
---------------------------	--	--

Air Conditioner & Heater	●	
Defroster	●	

AUTOMATIC STARTING AID(AIR GRID HEATER) FOR WEATHER		
-----------------------------------------------------	--	--

Starting Aid (Air Grid Heater) for Cold Weather	●	
-------------------------------------------------	---	--

CENTRALIZED MONITORING		
------------------------	--	--

8" LCD Display	●	
Engine Speed or Trip Meter / Accel	●	
Engine Coolant Temperature Gauge	●	
Max Power	●	
Low Speed / High Speed	●	
Auto Idle	●	
Overload warning with alarm		●
Check Engine	●	
Air Cleaner Clogging	●	
Indicators	●	
Eco Gauges	●	
Fuel Level Gauge	●	
Hyd. Oil Temperature Gauge	●	
Fuel Warmer	●	
Warnings	●	
Communication Error	●	
Low Battery	●	
Clock	●	

SEAT		
------	--	--

Mechanical Suspension without Heater		●
Mechanical Suspension with Heater		●
Adjustable Air Suspension without Heater		●
Adjustable Air Suspension with Heater	●	

CABIN FOG (ISO 1,0262) LEVEL 2		
--------------------------------	--	--

FOG (Falling Object Guard)	Front & Tops Guard	●
	Top Guard	●

CABIN ROPS (ISO 1,2117-2)		
---------------------------	--	--

ROPS (Roll Over Protective Structures)	●	
----------------------------------------	---	--

SAFETY	STD	OPT
--------	-----	-----

Battery Master Switch	●	
Rearview Camera	●	
AAVM (Advanced Around View Monitoring)		●
Six Front Working Lights (4 Boom Mounted, 2 Front Frame Mounted)	●	
Travel Alarm	●	
Rear Work		●
Beacon Lamp		●
Automatic Swing Brake	●	
Boom Holding System	●	
Arm Holding System	●	
Safety Lock Valve for Boom Cylinder with Overload Warning Device		●
Safety Lock Valve for Arm Cylinder		●
Swing Lock System		●
Two Outside Rearview Mirror	●	

OTHERS	STD	OPT
--------	-----	-----

Removable Clean-Out Dust Net for Cooler	●	
Removable Washer Tank	●	
Fuel Pre-Filter(1,000hr)	●	
Fuel Warmer	●	
Self-Diagnostics System	●	
Hi-Mate (Remote Management System)	●	
Batteries (2 x 12 V x 160 AH)	●	
Fuel Filler Pump (50 l/min)		●
Single-Acting Piping Kit (Breaker, etc.)		●
Double-Acting Piping Kit (Clamshell, etc.)	●	
Rotating Piping Kit		●
Quick Coupler Piping	●	
Quick Coupler		●
Boom Floating Control		●
One Pedal Straight Travel System		●
Accumulator for Lowering Work Equipment	●	
Pattern Change Valve (2 Patterns)	●	
Tool Kit		●

BOOMS		
-------	--	--

6.15 m, 20' 2"		●
6.5 m, 21' 4"	●	
7.06 m, 23' 2"	●	

ARMS		
------	--	--

2.5 m, 8' 2"		●
3.2 m, 10' 6"	●	
3.38 m 11' 1"	●	
3.9 m, 12' 10"		●

UNDERCARRIAGE	STD	OPT
---------------	-----	-----

Lower Frame Under Cover (Additional)		●
Lower Frame Under Cover (Normal)	●	

TRACK SHOES		
-------------	--	--

Triple Grousers Shoes (600 mm, 24")		●
Triple Grousers Shoe (700 mm, 28")		●
Triple Grousers Shoe (800 mm, 32")	●	
Triple Grousers Shoe (900 mm, 36")		●
Double Grousers Shoe (600 mm, 24")		●
Track Rail Guard	●	
Full Track Rail Guard		●

- * Standard and optional equipment may vary. Contact your Hyundai dealer for more information.
- The machine may vary according to International standards.
- * The photos may include attachments and optional equipment that are not available in your area.
- * Materials and specifications are subject to change without advance notice.
- * All imperial measurements rounded off to the nearest pound or inch.



www.hceamericas.com
6100 Atlantic Blvd., Norcross, GA 30071
TEL (678) 823-7777 FAX (678) 823-7778

PLEASE CONTACT