

# SPECIFICATIONS

## HX180A L

Powered By Cummins Performance Series Engine

**Net Power**  
152 HP (113 kW) / 2,200 rpm

**Standard Bucket**  
.73 m<sup>3</sup> / .95 yd<sup>3</sup>

**Operating Weight**  
39,010 LBS (17,695 kg)



ENGINE		
Maker / Model	Cummins B4.5	
Type	Tier 4F/ Stage V Emission Certified, 4 cylinder diesel engine with No Manual Regeneration.	
Rated flywheel horse power SAE	J1995 (gross)	115 kW (155 HP) at 2,200 rpm
	J1349 (net)	113 kW (152 HP) at 2,200 rpm
Max. torque	115 kW (155 hp) at 2,000 rpm	
Peak Torque	712 N-m (525 lb-ft) at 1,200 rpm	
Displacement	4.5 ℓ (275 cu in)	

HYDRAULIC SYSTEM	
MAIN PUMP	
Type	Variable displacement tandem axis piston pumps
Max. Flow	2 × 160 lpm (42.3 U.S. gpm)

AUXILIARY PRESSURE		
2 Way	Flow (l/min)	13~85 gpm / (50~320 lpm)
	Pressure (bar)	1,450~5,076 psi / (100~350 bar)
Rotating	Flow (l/min)	11 gpm / (39.9 lpm)
	Pressure (bar)	2,321 psi / (160 bar)

PILOT PUMP	
Type	Fixed displacement gear pump single stage
Max. Flow	29 ℓ / min (7.7 U.S. gpm)

HYDRAULIC MOTORS	
Travel	Variable displacement axial piston motor
Swing	Fixed displacement axial piston motor

RELIEF VALVE SETTING	
Implement Circuits	350 kgf/cm <sup>2</sup> (4,980 psi)
Travel	350 kgf/cm <sup>2</sup> (4,980 psi)
Power Boost ( Boom, Arm, Bucket )	380 kgf/cm <sup>2</sup> (5,410 psi)
Swing Circuit	285 kgf/cm <sup>2</sup> (4,060 psi)
Pilot Circuit	40 kgf/cm <sup>2</sup> (569 psi)
Service Valve	Installed

HYDRAULIC CYLINDERS	
No. of Cylinder	Boom : 2-∅115 × 1,090 mm
Bore X Stroke	Arm : 1-∅120 × 1,355 mm
	Bucket : 1-∅110 × 995 mm
	Blade : 2-∅110 × 320 mm

\* Hyundai Bio Hydraulic Oil (HBHO) available.

DRIVES & BRAKES	
Drive Method	Fully hydrostatic type
Drive Motor	Axial piston motor, in-shoe design
Reduction System	Planetary reduction gear
Max. Drawbar Pull	16,700 kgf (36,820 lbf)
Max. Travel Speed (High / Low)	3.1 km/hr (1.9 mph) / 5.4 km/hr (3.4 mph)
Gradeability	35° (70%)
Parking Brake	Multi wet disc

CONTROL	
Pilot pressure operated joysticks and pedals with detachable lever provide almost effortless and fatigueless operation.	
Pilot Control	Two joysticks with one safety lever (LH) : Swing and arm, (RH) : Boom and bucket
Traveling and Steering	Two levers with pedals
Engine Throttle	Electric, dial type

OPERATING WEIGHT (APPROXIMATE)	
Operating weight, including 5.1 m (16' 9") boom, 2.6 m (8' 6") arm, SAE heaped 0.73 m <sup>3</sup> (0.95 yd <sup>3</sup> ) bucket, lubricant, coolant, full fuel tank, full hydraulic tank, and all standard equipments.	

OPERATING WEIGHT				
Shoes		Operating Weight		Ground Pressure
Type	Width mm (in)	kg (lb)		kgf / cm <sup>2</sup> (psi)
Triple Grouser	500 (20")	HX180A L	17,455 (38,480)	0.51 (7.24)
		HX180A L Dozer	18,540 (40,870)	0.54 (7.69)
	600 (24")	HX180A L	17,695 (39,010)	0.43 (6.12)
		HX180A L Dozer	18,775 (41,390)	0.46 (6.49)
	700 (28")	HX180A L	17,945 (39,560)	0.37 (5.32)
		HX180A L Dozer	19,050 (42,000)	0.40 (5.64)

SWING SYSTEM	
Swing motor	Fixed displacement axial piston motor
Swing reduction	2 - stage planetary
Swing bearing lubrication	Grease-bathed
Swing brake	Multi wet disc
Swing speed	10.3 rpm

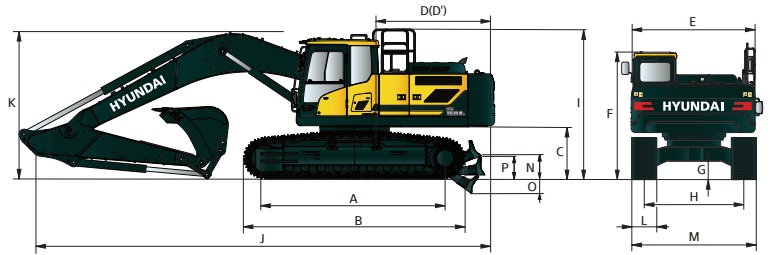
COOLANT & LUBRICANT CAPACITY		
	US gal	liter
Fuel Tank	76.6	290
Engine Coolant	6.1	23
Engine Oil	2.9	11
Swing Device	1.6	6.2
Final Drive (Each)	1.6	6
Hydraulic System (Including Tank)	59.4	225
Hydraulic Tank	33.0	125
Def/Adblue®	9.2	35

UNDERCARRIAGE	
The X-leg type center frame is integrally welded with reinforced box-section track frames. The undercarriage includes lubricated rollers, idlers, track adjusters with shock absorbing springs and sprockets, and a track chain with double or triple grouser shoes.	
Center Frame	X - Leg Type
Track Frame	Pentagonal Box Type
No. of Shoes on Each Side	49
No. of Carrier Roller	2 x 2
No. of Track Roller	2 x 7
No. of Rail Guard	2 x 1

CAB NOISE LEVEL	
Guaranteed noise level presented below can be differed depending on a range of factors such as operating condition, speed of a cooling fan, types of engine and so forth. Hearing protection shall be necessary if an operator is working in the improperly aintained cabin or exposed to a noisy environment by leaving doors and/or windows open. With cooling fan speed at maximum value:	
Operator sound pressure level (ISO 6396:2008)	71 dB(A)
Exterior sound power level (ISO 6395:2008)	99 dB(A)
* Distance of 15 m (49.2 ft), moving forward in second gear ratio	

# SPECIFICATIONS HX180A L

Powered By Cummins Performance Series Engines



## HX180A DIMENSIONS

Unit: ft-in (mm)

5.10 m (16' 9") BOOM and 2.20 m (7' 3"), 2.60 m (8' 6"), 3.10 m (10' 2") ARM

A Tumbler Distance	10' 5"	(3,170)
B Overall Length of Crawler	12' 10"	(3,910)
*C Ground Clearance of Counter Weight	3' 6"	(1,060)
D Tail Swing Radius	8' 2"	(2,490)
D' Rear-End Length	8' 2"	(2,490)
E Overall Width of Upper Structure	8' 1"	(2,475)
*F Overall Height of Cab	9' 9"	(2,980)
*G Min. Ground Clearance	1' 6"	(460)
H Track gauge	6' 6"	(1,990)
*I Overall Height of Guardrail	10' 8"	(3,250)

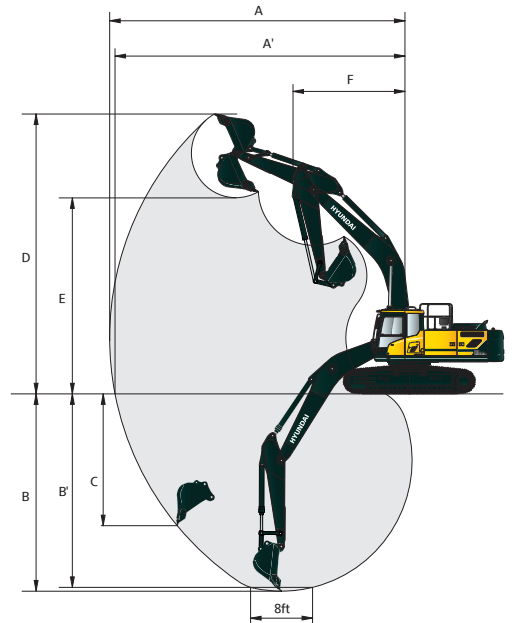
Boom Length	5,100 (16' 9")		
Arm Length	2,200 (7' 3")	2,600 (8' 6")	3,100 (10' 2")
J Overall Length	8,660 (28' 5")	8,650 (28' 5")	8,670 (28' 5")
*K Overall Height of Boom	3,040 (10' 0")	3,030 (9' 11")	3,195 (10' 6")
L Track Shoe	500 (20")	600 (24")	700 (28") 800 (32")
M Overall Width	2,490 (8' 2")	2,590 (8' 6")	2,690 (8' 10") -
**N Ground clearance of blade up	615 (2' 0")		
**O Depth of blade down	670 (2' 2")		
**P Height of blade	640 (2' 1")		

\* This figure includes the size of grouser.  
\*\* With dozer blade option

## HX180A WORKING RANGE

Unit: ft-in (mm)

Boom Length	5,100 (16' 9")		
Arm Length	2,200 (7' 3")	2,600 (8' 6")	3,100 (10' 2")
A Max. Digging Reach	8,690 (28' 6")	9,020 (29' 7")	9,450 (31' 0")
A' Max. Digging Reach on Ground	8,530 (28' 0")	8,860 (29' 1")	9,300 (30' 6")
B Max. Digging Depth	5,630 (18' 6")	6,030 (19' 9")	6,530 (21' 5")
B' Max. Digging Depth (8' Level)	5,410 (17' 9")	5,825 (19' 1")	6,340 (20' 10")
C Max. Vertical Wall Digging Depth *	3,410 (11' 2")	3,600 (11' 10")	3,845 (12' 7")
D Max. Digging Height	8,670 (28' 5")	8,750 (28' 8")	8,880 (29' 2")
E Max. Dumping Height	6,140 (20' 2")	6,250 (20' 6")	6,410 (21' 0")
F Min. Swing Radius	3,180 (10' 5")	3,170 (10' 5")	3,160 (10' 4")



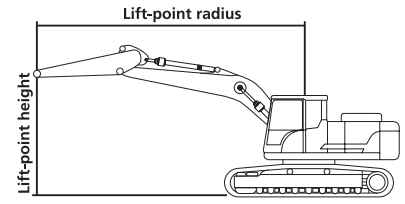
## HX180A DIGGING FORCE

Boom	Length	mm (ft-in)	5,100 (16' 9") Mono Boom			Remark
	Weight	kg (lb)	1,277 (2,810)			
Arm	Length	mm (ft-in)	2,200 (7' 3")	2,600 (8' 6")	3,100 (10' 2")	
	Weight	kg (lb)	807 (1,780)	860 (1,900)	888 (1,960)	
Bucket Digging Force	SAE	kN	108.0 [117.0]	108.0 [117.0]	108.0 [117.0]	[ ] : Power Boost
		kgf	10,987 [11,930]	10,004 [11,950]	11,006 [11,950]	
		lbf	24,222 [26,301]	24,259 [26,345]	24,264 [26,345]	
	ISO	kN	126.0 [137.0]	126.0 [137.0]	126.0 [137.0]	
		kgf	12,872 [13,980]	12,892 [14,000]	12,894 [14,000]	
		lbf	28,379 [30,821]	28,421 [30,865]	28,427 [30,865]	
Arm Crowd Force	SAE	kN	87.0 [95.0]	77.0 [84.0]	69.0 [75.0]	
		kgf	8,889 [9,650]	7,879 [8,550]	7,035 [7,640]	
		lbf	19,596 [21,275]	17,370 [18,850]	15,510 [16,843]	
	ISO	kN	92.0 [99.0]	81.0 [88.0]	72.0 [78.0]	
		kgf	9,339 [10,140]	8,237 [8,940]	7,314 [7,940]	
		lbf	20,590 [22,355]	18,158 [19,709]	16,124 [17,505]	

Note : Boom weight includes arm cylinder, piping, and pin  
Arm weight includes bucket cylinder, linkage, and pin

# SPECIFICATIONS HX180AL

Powered By Cummins Performance Series Engines



## Lifting Capacity (Without Dozer)

Boom: 5.1 m (16' 9")

Arm: 2.60 m (8' 6")

Shoe 600 mm (24") triple grouser

CWT 3,250 kg (7,170 lb)

Capacities based on North American Standard Configuration  
in accordance with ISO condition 2 standard.

Rating over front

Rating over side or 360 degree

Lift-point height m (ft)		Lift-point radius										At max. reach		
		1.5 m (4.9 ft)		3.0 m (9.8 ft)		4.5 m (14.8 ft)		6.0 m (19.7 ft)		7.5 m (24.6 ft)		Capacity		Reach m (ft)
6.0 m	kg							*3040	*3040			*2120	*2120	6.44
19.7 ft	lb							*6700	*6700			*4670	*4670	(21.1)
4.5 m	kg							*3730	*3730			*2080	*2080	7.25
14.8 ft	lb							*8220	*8220			*4590	*4590	(23.8)
3.0 m	kg			*7920	*7920	*5290	*5290	*4260	3610	*2820	2450	*2170	*2170	7.68
9.8 ft	lb			*17460	*17460	*11660	*11660	*9390	7960	*6220	5400	*4780	*4780	(25.2)
1.5 m	kg			*6710	*6710	*6610	5330	*4880	3420	*3640	2370	*2380	2220	7.79
4.9 ft	lb			*14790	*14790	*14570	11750	*10760	7540	*8020	5220	*5250	4890	(25.6)
Ground Line	kg			*6560	*6560	*7430	5060	5240	3270	*3430	2310	*2800	2260	7.61
	lb			*14460	*14460	*16380	11160	11550	7210	*7560	5090	*6170	4980	(25.0)
-1.5 m	kg	*5310	*5310	*9390	*9390	*7540	4960	5160	3210			*3580	2490	7.10
-4.9 ft	lb	*11710	*11710	*20700	*20700	*16620	10930	11380	7080			*7890	5490	(23.3)
-3.0 m	kg	*8650	*8650	*10160	9820	*6880	5000	*4800	3240			*4560	3110	6.19
-9.8 ft	lb	*19070	*19070	*22400	21650	*15170	11020	*10580	7140			*10050	6860	(20.3)
-4.5 m	kg			*7340	*7340	*4850	*4850					*4640	*4640	4.63
-14.8 ft	lb			*16180	*16180	*10690	*10690					*10230	*10230	(15.2)

## Lifting Capacity (Dozer Down)

Boom: 5.1 m (16' 9")

Arm: 2.60 m (8' 6")

Shoe 600 mm (24") triple grouser

CWT 3,250 kg (7,170 lb)

Capacities based on North American Standard Configuration  
in accordance with ISO condition 2 standard.

Rating over front

Rating over side or 360 degree

Lift-point height m (ft)		Lift-point radius										At max. reach		
		1.5 m (4.9 ft)		3.0 m (9.8 ft)		4.5 m (14.8 ft)		6.0 m (19.7 ft)		7.5 m (24.6 ft)		Capacity		Reach m (ft)
6.0 m	kg							*3040	*3040			*2120	*2120	6.44
19.7 ft	lb							*6700	*6700			*4670	*4670	(21.1)
4.5 m	kg							*3730	*3730			*2080	*2080	7.25
14.8 ft	lb							*8220	*8220			*4590	*4590	(23.8)
3.0 m	kg			*7920	*7920	*5290	*5290	*4260	3810	*2820	2610	*2170	*2170	7.68
9.8 ft	lb			*17460	*17460	*11660	*11660	*9390	8400	*6220	5750	*4780	*4780	(25.2)
1.5 m	kg			*6710	*6710	*6610	5640	*4880	3630	*3640	2530	*2380	2370	7.79
4.9 ft	lb			*14790	*14790	*14570	12430	*10760	8000	*8020	5580	*5250	5220	(25.6)
Ground Line	kg			*6560	*6560	*7430	5360	*5330	3480	*3430	2470	*2800	2420	7.61
	lb			*14460	*14460	*16380	11820	*11750	7670	*7560	5450	*6170	5340	(25.0)
-1.5 m	kg	*5310	*5310	*9390	*9390	*7540	5260	*5410	3420			*3580	2670	7.10
-4.9 ft	lb	*11710	*11710	*20700	*20700	*16620	11600	*11930	7540			*7890	5890	(23.3)
-3.0 m	kg	*8650	*8650	*10160	*10160	*6880	5300	*4800	3450			*4560	3310	6.19
-9.8 ft	lb	*19070	*19070	*22400	*22400	*15170	11680	*10580	7610			*10050	7300	(20.3)
-4.5 m	kg			*7340	*7340	*4850	*4850					*4640	*4640	4.63
-14.8 ft	lb			*16180	*16180	*10690	*10690					*10230	*10230	(15.2)

### NOTES:

- Lifting capacities are based on ISO 10567.
- Lifting capacity of the HX Series does not exceed 75% of tipping load with the machine on firm, level ground or 87% of full hydraulic capacity.
- The Lift-point is bucket pivot mounting pin on the arm (without bucket mass).
- (\*) indicates load limited by hydraulic capacity.

ENGINE	STD	OPT
Cummins B4.5		
Engine Auto Idle	●	
Engine Auto Shutdown Control	●	
Emergency Engine Stop Switch	●	
HYDRAULIC SYSTEM		
INTELLIGENT POWER CONTROL (IPC) UPGRADE		
3-Power Mode, 2-Work Mode, User Mode	●	
Variable Power Control	●	
Pump Flow Control	●	
Attachment Mode Flow Control	●	
Hyundai Bio Hydraulic oil (HBHO)		●
CAB & INTERIOR STD OPT		
ISO STANDARD CABIN		
Rise-Up Type Windshield Wiper	●	
Radio / USB Player	●	
Handsfree Mobile Phone System with USB	●	
12V Power Outlet (24V DC to 12V DC converter)	●	
Electric Horn	●	
All-Weather Steel Cab with 360° Visibility	●	
Safety glass - Tempered glass	●	
Safety glass - Tempered glass with front laminated glass		●
Sliding Fold-In Front Window	●	
Sliding Side Window (LH)	●	
Lockable Door	●	
Hot & Cool Box	●	
Storage Compartment	●	
Transparent Cabin Roof-Cover		●
Sun Visor	●	
Door And Cab Locks, One Key	●	
Pilot-Operated Slidable Joystick	●	
Adjustable L & R Consoles	●	
AUTOMATIC CLIMATE CONTROL		
Air Conditioner & Heater	●	
Defroster	●	
Starting Aid (Air Grid Heater) for Cold Weather	●	
CENTRALIZED MONITORING		
8" LCD Display	●	
Engine Speed or Trip Meter / Accel.	●	
Engine Coolant Temperature Gauge	●	
Max Power	●	
Low Speed / High Speed	●	
Auto Idle	●	
Overload warning with alarm	●	
Check Engine	●	
Air Cleaner Clogging	●	
Indicators	●	
ECO Gauges	●	
Fuel Level Gauge	●	
Hyd. Oil Temperature Gauge	●	
Warnings	●	
Communication Error	●	
Low Battery	●	
Clock	●	
Cabin Lights	●	
Cabin Front Window Rain Guard		●
Cabin Roof-Steel Cover		●
SEAT		
Adjustable Air Suspension Seat With Heater	●	
CABIN FOG (ISO 10262) LEVEL 2		
FOG (Falling Object Protective Structure)-ISO 10262 Level 2		●
CABIN ROPS		
ROPS (Roll Over Protective Structures)-ISO 12117-2	●	

SAFETY	STD	OPT
Lifting Mode	●	
Auto Safety Lock	●	
Seatbelt Warning Alarm	●	
Battery Master Switch	●	
Rear View Camera	●	
AAVM (Advanced Around View Monitoring)		●
Four Front Working Lights (2 Boom Mounted, 2 Front Frame Mounted)	●	
Travel Alarm	●	
Rear Work Lamp		●
Beacon Lamp		●
Automatic Swing Brake	●	
Boom Holding System	●	
Arm Holding System	●	
Safety Lock Valve For Boom Cylinder With Overload Warning Device		●
Safety Lock Valve For Arm Cylinder		●
Swing Lock System		●
Three Outside Rearview Mirror	●	
ATTACHMENT		
Booms		
5.10 m, 16' 9" Mono	●	
5.10 m, 16' 9" 2-Piece		●
Arms		
2.2 m, 7' 3"		●
2.6 m, 8' 6"	●	
3.1 m, 10' 2"		●
OTHER		
Fuel Pre-Filter	●	
Fuel Warmer	●	
Pre-Cleaner	●	
Self-Diagnostics System	●	
Hi MATE (Remote Management System)		●
Batteries (2 x 12 V x 100 AH)	●	
Fuel Filler Pump (35 lpm)		●
2-Way auxiliary w Proportional control	●	
Rotating Piping Kit		●
Air Compressor		●
Quick Coupler Piping	●	
Quick Coupler	●	
One Pedal Straight Travel System		●
Accumulator For Lowering Work Equipment	●	
Pattern Change Valve (2 Patterns)	●	
Fine (Cushion/Free) Swing Control		●
Tool Kit		●
UNDERCARRIAGE		
Lower Frame Under Cover	●	
Track Shoes		
Triple Grousers Shoes (500 mm, 20")		●
Triple Grousers Shoes (600 mm, 24")	●	
Triple Grousers Shoe (700 mm, 28" )		●
Track Guard	●	

- \* Standard and optional equipment may vary. Contact your Hyundai dealer for more information. The machine may vary according to International standards.
- \* The photos may include attachments and optional equipment that are not available in your area.
- \* Materials and specifications are subject to change without advance notice.
- \* All imperial measurements rounded off to the nearest pound or inch.

PLEASE CONTACT