

SPECIFICATIONS

HX140A L

Powered By Cummins Performance Series Engine

Net Power
131 HP (98 kW)
/ 2,200 rpm

Standard Bucket
.61 m³ / .80 yd³

Operating Weight
33,580 lbs (15,230 kg)



ENGINE	
Maker / Model	Cummins F3.8
Type	Tier 4F/ Stage V Emission Certified, 4 cylinder diesel engine with No Manual Regeneration.
Rated flywheel power	J1995 (gross) 100 kW (134 HP) at 2,200 rpm
SAE horse power	J1349 (net) 98 kW (131 HP) at 2,200 rpm
Max. torque	100 kW (134 hp) at 2,200 rpm
Peak Torque	550 N·m (406 lb·ft) at 1,500 rpm
Displacement	3.8 l (229 cu in)

HYDRAULIC SYSTEM	
MAIN PUMP	
Type	Variable displacement tandem axis piston pumps
Max. Flow	2 × 123.5 l /min (2 × 32.6 U.S. gpm)

AUXILIARY PRESSURE		
2 Way	Flow (l/min)	13–69 gpm / (50–260 lpm)
	Pressure (bar)	1,450–5,076 psi / (100–350 bar)
Rotating	Flow (l/min)	11 gpm / (39.9 lpm)
	Pressure (bar)	2,321 psi / (160 bar)

PILOT PUMP	
Type	Fixed displacement gear pump single stage
Max. Flow	28.5 l /min (7.5 U.S. gpm)

HYDRAULIC MOTORS	
Travel	Variable displacement axial piston motor
Swing	Two fixed displacement axial piston motor

RELIEF VALVE SETTING	
Implement Circuits	350 kgf/cm ² (4,980 psi)
Travel	350 kgf/cm ² (4,980 psi)
Power Boost (Boom, Arm, Bucket)	380 kgf/cm ² (5,410 psi)
Swing Circuit	280 kgf/cm ² (3,990 psi)
Pilot Circuit	40 kgf/cm ² (569 psi)
Service Valve	Installed

DRIVES & BRAKES	
Drive Method	Fully hydrostatic type
Drive Motor	Axial piston motor, in-shoe design
Reduction System	Planetary reduction gear
Max. Drawbar Pull	12,670 kgf (27,930 lbf)
Max. Travel Speed (High / Low)	3.2 km/hr (2.0 mph) / 5.5 km/hr (3.4 mph)
Gradeability	35° (70%)
Parking Brake	Multi wet disc

CONTROL	
Pilot Control	Two joysticks with one safety lever (LH) : Swing and arm, (RH) : Boom and bucket
Traveling and Steering	Two levers with pedals
Engine Throttle	Electric, dial type

OPERATING WEIGHT (APPROXIMATE)

Operating weight, including 4.6 m (15' 1") boom, 3 m (9' 10") arm, SAE heaped 0.61 m³ (0.80 yd³) bucket, lubricant, coolant, full fuel tank, full hydraulic tank, and all standard equipments.

OPERATING WEIGHT				
Shoes		Operating Weight		Ground Pressure
Type	Width mm(in)	kg (lb)		kgf / cm ² (psi)
Triple Grouser	500 (20")	HX140A L	14,200 (31,310)	0.44 (6.23)
		HX140A L Dozer	15,015 (33,100)	0.46 (6.59)
	600 (24")	HX140A L	14,405 (31,760)	0.37 (5.26)
		HX140A L Dozer	15,230 (33,580)	0.39 (5.56)
	700 (28")	HX140A L	14,625 (32,240)	0.32 (4.58)
		HX140A L Dozer	15,460 (34,080)	0.34 (4.84)

SWING SYSTEM	
Swing motor	Fixed displacement axial piston motor
Swing reduction	Planetary gear reduction
Swing bearing lubrication	Grease-bathed
Swing brake	Multi wet disc
Swing speed	11.4 rpm

COOLANT & LUBRICANT CAPACITY		
	US gal	liter
Fuel Tank	71.3	270
Engine Coolant	5.5	21
Engine Oil	3.2	12
Swing Device	0.9	3.5
Final Drive (Each)	0.6	2.3
Hydraulic System (Including Tank)	55.5	210
Hydraulic Tank	31.7	120
Def/Adblue®	9.2	35

UNDERCARRIAGE

The X-leg type center frame is integrally welded with reinforced box-section track frames. The undercarriage includes lubricated rollers, idlers, track adjusters with shock absorbing springs and sprockets, and a track chain with double or triple grouser shoes.

Center Frame	X - Leg Type
Track Frame	Pentagonal Box Type
No. of Shoes on Each Side	46
No. of Carrier Roller	2 x 1
No. of Track Roller	2 x 7
No. of Rail Guard	2 x 1

CAB NOISE LEVEL

Guaranteed noise level presented below can be differed depending on a range of factors such as operating condition, speed of a cooling fan, types of engine and so forth. Hearing protection shall be necessary if an operator is working in the improperly aintained cabin or exposed to a noisy environment by leaving doors and/or windows open. With cooling fan speed at maximum value:

Operator sound pressure level (ISO 6396:2008)	71 dB(A)
Exterior sound power level (ISO 6395:2008)	99 dB(A)

* Distance of 15 m (49.2 ft), moving forward in second gear ratio

SPECIFICATIONS HX140A L

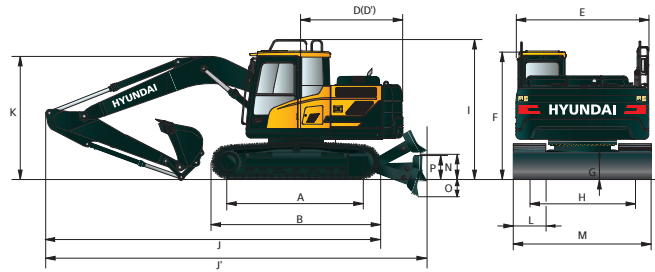
Powered by Cummins Performance Series Engine

HX140A L MONO BOOM DIMENSIONS

Unit: ft-in (mm)

4.60 m (15' 1"), 4.1 m (13' 5") BOOM and 1.90 m (6' 3"), 2.10 m (6' 11"), 2.50 m (8' 2"), 3.00 m (9' 10") ARM

A Tumbler Distance	9' 10"	(3,000)
B Overall Length of Crawler	12' 2"	(3,696)
*C Ground Clearance of Counter Weight	3' 1"	(930)
D Tail Swing Radius	7' 8"	(2,345)
D' Rear-End Length	7' 8"	(2,335)
E Overall Width of Upper Structure	8' 1"	(2,475)
*F Overall Height of Cab	9' 5"	(2,860)
*G Min. Ground Clearance	1' 5"	(430)
H Track gauge	6' 6"	(1,990)
*I Overall Height of Guardrail	10' 2"	(3,110)

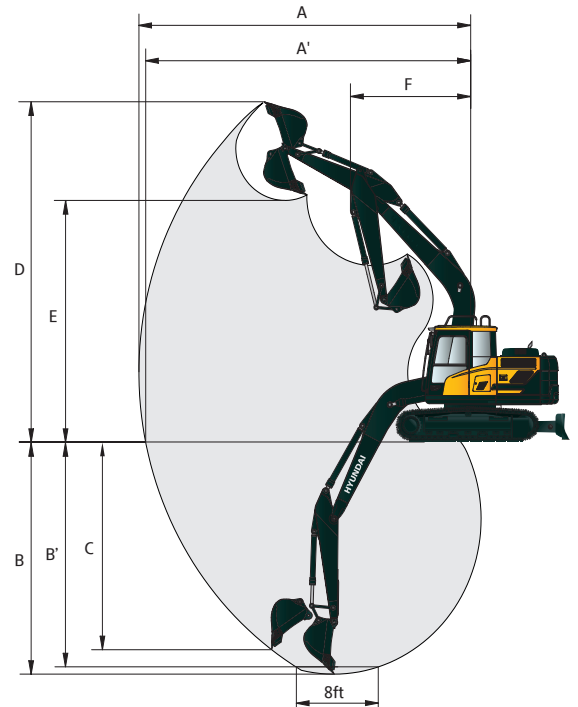


Boom Length	4,600 (15' 1")				4,100 (13' 5")	
Arm Length	1,900 (6' 3")	2,100 (6' 11")	2,500 (8' 2")	3,000 (9' 10")	1,900 (6' 3")	2,100 (6' 11")
J Overall Length	7,830 (25' 8")	7,855 (25' 9")	7,830 (25' 8")	7,795 (25' 7")	7,320 (24' 0")	7,355 (24' 2")
J' Overall Length (W/Dozer)	8,165 (26' 9")	8,190 (26' 10")	8,165 (26' 9")	8,130 (26' 8")	7,655 (25' 1")	7,690 (25' 3")
K Overall Height of Boom	2,675 (8' 9")	2,820 (9' 3")	2,800 (9' 2")	3,130 (10' 3")	2,740 (9' 0")	2,895 (9' 6")
L Track Shoe	500 (20")		600 (24")		700 (28")	
M Overall Width	2,490 (8' 2")		2,590 (8' 6")		2,690 (8' 10")	
**N Ground clearance of blade up					580 (1' 11")	
**O Depth of blade down					475 (1' 7")	
**P Height of blade					575 (1' 11")	

HX140A L MONO BOOM WORKING RANGE

Unit: ft-in (mm)

Boom Length	4,600 (15' 1")				4,100 (13' 5")	
	1,900 (6' 3")	2,100 (6' 11")	2,500 (8' 2")	3,000 (9' 10")	1,900 (6' 3")	2,100 (6' 11")
A Max. Digging Reach	7,750 (25' 5")	7,920 (26' 0")	8,320 (27' 4")	8,780 (28' 10")	7,250 (23' 9")	7,420 (24' 4")
A' Max. Digging Reach on Ground	7,590 (24' 11")	7,760 (25' 6")	8,170 (26' 10")	8,640 (28' 4")	7,080 (23' 3")	7,250 (23' 9")
B Max. Digging Depth	4,915 (16' 2")	5,115 (16' 9")	5,515 (18' 1")	6,015 (19' 9")	4,500 (14' 9")	4,700 (15' 5")
B' Max. Digging Depth (8' Level)	4,650 (15' 3")	4,860 (15' 11")	5,300 (17' 5")	5,830 (19' 2")	4,240 (13' 11")	4,450 (14' 7")
C Max. Vertical Wall Digging Depth *	4,470 (14' 8")	4,660 (15' 3")	5,065 (16' 7")	5,570 (18' 3")	4,060 (13' 4")	4,250 (13' 11")
D Max. Digging Height	8,130 (26' 8")	8,200 (26' 11")	8,530 (28' 0")	8,800 (28' 10")	7,730 (25' 4")	7,790 (25' 7")
E Max. Dumping Height	5,690 (18' 8")	5,770 (18' 11")	6,080 (19' 11")	6,350 (20' 10")	5,285 (17' 4")	5,360 (17' 7")
F Min. Swing Radius	2,620 (8' 7")	2,670 (8' 9")	2,650 (8' 8")	2,670 (8' 9")	2,350 (7' 9")	2,460 (8' 1")

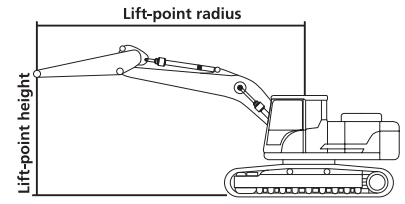


HX140A L MONO BOOM DIGGING FORCE

Boom	Length	mm (ft.in)	4,600 (15' 1") Mono Boom				4,100 (13' 5") Mono Boom		Remark
			992 (2,190)				937 (2,060)		
Arm	Length	mm (ft.in)	1,900 (6' 3")	2,100 (6' 11")	2,500 (8' 2")	3,000 (9' 10")	1,900 (6' 3")	2,100 (6' 11")	
			Weight	kg (lb)	591 (1,300)	621 (1,370)	681 (1,500)	716 (1,580)	
Bucket Digging Force	SAE	kN	88 [95]	88 [95]	88 [95]	88 [95]	88 [95]	88 [95]	[]: Power Boost
		kgf	8,958 [9,730]	8,960 [9,730]	8,960 [9,730]	8,956 [9,720]	8,958 [9,730]	8,958 [9,730]	
		lbf	19,749 [21,451]	19,754 [21,451]	19,754 [21,451]	19,745 [21,429]	19,749 [21,451]	19,754 [21,451]	
	ISO	kN	103 [112]	103 [112]	103 [112]	103 [112]	103 [112]	103 [112]	
		kgf	10,494 [11,390]	10,497 [11,400]	10,497 [11,400]	10,492 [11,390]	10,494 [11,390]	11,497 [11,400]	
		lbf	23,136 [25,111]	23,142 [25,133]	23,142 [25,133]	23,131 [25,111]	23,136 [25,111]	23,142 [25,133]	
Arm Crowd Force	SAE	kN	77 [83]	74 [80]	63 [68]	56 [61]	77 [83]	74 [80]	
		kgf	7,815 [8,490]	7,506 [8,150]	6,396 [6,940]	5,711 [6,200]	7,815 [8,490]	7,506 [8,150]	
		lbf	17,230 [18,717]	16,547 [17,968]	14,100 [15,300]	12,591 [13,669]	17,230 [18,717]	16,547 [17,968]	
	ISO	kN	81 [88]	77 [84]	65 [71]	58 [63]	81 [88]	77 [84]	
		kgf	8,213 [8,920]	7,863 [8,540]	6,665 [7,240]	5,924 [6,430]	8,213 [8,920]	7,863 [8,540]	
		lbf	18,107 [19,665]	17,334 [18,827]	14,694 [15,961]	13,060 [14,176]	18,107 [19,665]	17,334 [18,827]	

SPECIFICATIONS HX140A L

Powered by Cummins Performance Series Engine



Lifting Capacity (Without Dozer)

Boom: 5.1 m (16' 9")

Arm: 2.60 m (8' 6")

Shoe 600 mm (24") triple grouser

CWT 3,250 kg (7,170 lb)

Capacities based on North American Standard Configuration
in accordance with ISO condition 2 standard.

Rating over front

Rating over side or 360 degree

Lift-point height m (ft)	Lift-point radius										At max. reach			
	1.5 m (4.9 ft)		3.0 m (9.8 ft)		4.5 m (14.8 ft)		6.0 m (19.7 ft)		7.5 m (24.6 ft)		Capacity		Reach	
													m (ft)	
7.5 m 24.6 ft	kg lb					*2600 *5730	*2600 *5730					*2390 *5270	*2390 *5270	4.59 (15.1)
6.0 m 19.7 ft	kg lb							*2240 *4940	*2240 *4940			*2010 *4430	*2010 *4430	6.08 (20.0)
4.5 m 14.8 ft	kg lb							*3290 *7250	2820 6220			*1880 *4140	*1880 *4140	6.94 (22.8)
3.0 m 9.8 ft	kg lb			*5260 *11600	*5260 *11600	*4140 *9130	*4140 *9130	*3680 *8110	2740 6040			*1880 *4140	*1880 *4140	7.40 (24.3)
1.5 m 4.9 ft	kg lb			*8410 *18540	7240 15960	*5360 *11820	3970 8750	3960 8730	2620 5780	*2130 *4700	1880 4140	*1980 *4370	1870 4120	7.53 (24.7)
Ground Line	kg lb			*7190 *15850	6820 15040	5940 13100	3770 8310	3850 8490	2530 5580			*2190 *4830	1900 4190	7.36 (24.1)
-1.5 m -4.9 ft	kg lb	*4380 *9660	*4380 *9660	*9290 *20480	6720 14820	5830 12850	3680 8110	3800 8380	2480 5470			*2610 *5750	2080 4590	6.85 (22.5)
-3.0 m -9.8 ft	kg lb	*7550 *16640	*7550 *16640	*9450 *20830	6790 14970	5840 12870	3690 8140					*3560 *7850	2560 5640	5.91 (19.4)
-4.5 m -14.8 ft	kg lb			*6970 *15370	*6970 *15370							*4530 *9990	4130 9110	4.29 (14.1)

Lifting Capacity (Dozer Down)

Boom: 5.1 m (16' 9")

Arm: 2.60 m (8' 6")

Shoe 600 mm (24") triple grouser

CWT 3,250 kg (7,170 lb)

Capacities based on North American Standard Configuration
in accordance with ISO condition 2 standard.

Rating over front

Rating over side or 360 degree

Lift-point height m (ft)	Lift-point radius										At max. reach			
	1.5 m (4.9 ft)		3.0 m (9.8 ft)		4.5 m (14.8 ft)		6.0 m (19.7 ft)		7.5 m (24.6 ft)		Capacity		Reach	
													m (ft)	
7.5 m 24.6 ft	kg lb					*2600 *5730	*2600 *5730					*2390 *5270	*2390 *5270	4.59 (15.1)
6.0 m 19.7 ft	kg lb							*2240 *4940	*2240 *4940			*2010 *4430	*2010 *4430	6.08 (20.0)
4.5 m 14.8 ft	kg lb							*3290 *7250	3210 7080			*1880 *4140	*1880 *4140	6.94 (22.8)
3.0 m 9.8 ft	kg lb			*5260 *11600	*5260 *11600	*4140 *9130	*4140 *9130	*3680 *8110	3120 6880			*1880 *4140	*1880 *4140	7.40 (24.3)
1.5 m 4.9 ft	kg lb			*8410 *18540	*8410 *18540	*5360 *11820	4560 10050	*4240 *9350	3010 6640	*2130 *4700	*2130 *4700	*1980 *4370	*1980 *4370	7.53 (24.7)
Ground Line	kg lb			*7190 *15850	*7190 *15850	*6310 *13910	4350 9590	*4710 *10380	2910 6420			*2190 *4830	2190 4830	7.36 (24.1)
-1.5 m -4.9 ft	kg lb	*4380 *9660	*4380 *9660	*9290 *20480	7910 17440	*6680 *14730	4260 9390	*4880 *10760	2860 6310			*2610 *5750	2400 5290	6.85 (22.5)
-3.0 m -9.8 ft	kg lb	*7550 *16640	*7550 *16640	*9450 *20830	7970 17570	*6290 *13870	4270 9410					*3560 *7850	2950 6500	5.91 (19.4)
-4.5 m -14.8 ft	kg lb			*6970 *15370	*6970 *15370							*4530 *9990	*4530 *9990	4.29 (14.1)

NOTES:

- Lifting capacities are based on ISO 10567.
- Lifting capacity of the HX Series does not exceed 75% of tipping load with the machine on firm, level ground or 87% of full hydraulic capacity.
- The Lift-point is bucket pivot mounting pin on the arm (without bucket mass).
- (*) indicates load limited by hydraulic capacity.

ENGINE	STD	OPT
Cummins F3.8		
Engine Auto Idle	●	
Engine Auto Shutdown Control	●	
Emergency Engine Stop Switch	●	
HYDRAULIC SYSTEM	STD	OPT
INTELLIGENT POWER CONTROL (IPC) UPGRADE		
3-Power Mode, 2-Work Mode, User Mode	●	
Variable Power Control	●	
Pump Flow Control	●	
Attachment Mode Flow Control	●	
Hyundai Bio Hydraulic oil (HBHO)		●
CAB & INTERIOR STD OPT	STD	OPT
ISO STANDARD CABIN		
Rise-Up Type Windshield Wiper	●	
Radio / USB Player	●	
Handsfree Mobile Phone System with USB	●	
12V Power Outlet (24V DC to 12V DC converter)	●	
Electric Horn	●	
All-Weather Steel Cab with 360° Visibility	●	
Safety glass - Tempered glass	●	
Safety glass - Tempered glass with front laminated glass		●
Sliding Fold-In Front Window	●	
Sliding Side Window (LH)	●	
Lockable Door	●	
Hot & Cool Box	●	
Storage Compartment	●	
Transparent Cabin Roof-Cover	●	
Sun Visor	●	
Door And Cab Locks, One Key	●	
Pilot-Operated Slidable Joystick	●	
Adjustable L & R Consoles	●	
AUTOMATIC CLIMATE CONTROL		
Air Conditioner & Heater	●	
Defroster	●	
Starting Aid (Air Grid Heater) for Cold Weather	●	
CENTRALIZED MONITORING		
8" LCD Display	●	
Engine Speed or Trip Meter / Accel.	●	
Engine Coolant Temperature Gauge	●	
Max Power	●	
Low Speed / High Speed	●	
Auto Idle	●	
Overload warning with alarm		●
Check Engine	●	
Air Cleaner Clogging	●	
Indicators	●	
ECO Gauges	●	
Fuel Level Gauge	●	
Hyd. Oil Temperature Gauge	●	
Fuel Warmer	●	
Warnings	●	
Communication Error	●	
Low Battery	●	
Clock	●	
Cabin Lights	●	
Cabin Front Window Rain Guard		●
Cabin Roof-Steel Cover		●
SEAT		
Adjustable Air Suspension Seat With Heater	●	
CABIN FOG (ISO 10262) LEVEL 2		
FOG (Falling Object Protective Structure)-ISO 10262 Level 2		●
CABIN ROPS		
ROPS (Roll Over Protective Structures)-ISO 12117-2	●	

SAFETY	STD	OPT
Lifting Mode	●	
Auto Safety Lock	●	
Seatbelt Warning Alarm	●	
Battery Master Switch	●	
Rear View Camera	●	
Rear & Mirror View Camera		●
AAVM (Advanced Around View Monitoring)		●
Four Front Working Lights (2 Boom Mounted, 2 Front Frame Mounted)	●	
Travel Alarm	●	
Rear Work Lamp		●
Beacon Lamp		●
Automatic Swing Brake	●	
Boom Holding System	●	
Arm Holding System	●	
Safety Lock Valve For Boom Cylinder With Overload Warning Device		●
Safety Lock Valve For Arm Cylinder		●
Swing Lock System		●
Three Outside Rearview Mirrors	●	
Front Guard - Wire Net		●
Guardrail - Boxing Ring		●
ATTACHMENT	STD	OPT
Booms		
4.1 m, 13' 5" Mono		●
4.6 m, 15' 1" Mono	●	
4.9 m, 16' 1" 2-Piece		●
Arms		
1.9 m, 6' 3"		●
2.1 m, 6' 11"		●
2.5 m, 8' 2"		●
3.0 m, 9' 10"	●	
OTHER	STD	OPT
Fuel Pre-Filter	●	
Fuel Warmer	●	
Pre-Cleaner	●	
Self-Diagnostics System	●	
Hi MATE (Remote Management System)	●	
Batteries (2 x 12 V x 72 AH)	●	
Fuel Filler Pump (35 lpm)		●
2-Way auxiliary w Proportional control - foot pedal control		●
Rotating Piping Kit		●
Quick Coupler	●	
One Pedal Straight Travel System		●
Accumulator For Lowering Work Equipment	●	
Pattern Change Valve (2 Patterns)	●	
Fine (Cushion/Free) Swing Control		●
Tool Kit		●
UNDERCARRIAGE	STD	OPT
Lower Frame Under Cover	●	
Track Shoes		
Triple Grousers Shoes (500 mm, 20")		●
Triple Grousers Shoes (600 mm, 24")	●	
Triple Grousers Shoe (700 mm, 28")		●
Triple Grousers Shoe (900 mm, 36") - H/W Mud Application		●
Track Guard	●	
Full Track Guard - H/W		●

- * Standard and optional equipment may vary. Contact your Hyundai dealer for more information. The machine may vary according to International standards.
- * The photos may include attachments and optional equipment that are not available in your area.
- * Materials and specifications are subject to change without advance notice.
- * All imperial measurements rounded off to the nearest pound or inch.



www.hceamericas.com
6100 Atlantic Blvd., Norcross, GA 30071
TEL (678) 823-7777 FAX (678) 823-7778

PLEASE CONTACT