

SPECIFICATIONS

HW160A L

Powered By Cummins Performance Series Engine

Net Power
170 HP (127 kW)
/ 2,200 rpm

Standard Bucket
.85 m³ / 1.11 yd³

Operating Weight
38,910 LBS (17,650 kg)



ENGINE	
Maker / Model	CUMMINS / B4.5
Type	Stage 5 compliant, 4 cylinder, turbocharged charge air cooled, direct injection, electronic controlled diesel engine.
Rated flywheel horse power	J1995 (gross) 129 kW (173 hp) at 2,200 rpm SAE J1349 (net) 127 kW (170 hp) at 2,200 rpm
Max. torque	129 kW (173 hp) at 2,200 rpm
Peak Torque	780 N-m (575 lb.ft) at 1,500 rpm
Displacement	4.5 l (275 cu in)
Batteries	2 x 12 V x 100 Ah
Starting motor	24 V - 4.8 kW
Alternator	24 V - 95 Amp

HYDRAULIC SYSTEM		
MAIN PUMP		
Type	Variable Displacement Piston pumps	
Max. Flow	2 x 255 l/pm (67.4 gpm) @ 1,800 rpm	
AUXILIARY PRESSURE		
2 Way	Flow (l/min)	13~66 gpm / (50~250 lpm)
	Pressure (bar)	1,450~4,641 psi / (100~280 bar)
Rotating	Flow (l/min)	16 gpm / (60 lpm)
	Pressure (bar)	3,046 psi / (210 bar)

PILOT PUMP	
Type	Fixed displacement gear pump single stage
Max. Flow	33 l /min (8.7 U.S. gpm)

HYDRAULIC MOTORS	
Travel	Variable Displacement Bent Axis Piston Motor
Swing	Fixed Displacement Radial Piston Motor
RELIEF VALVE SETTING	
Implement Circuits	350 kgf/cm ² (4,970 psi)
Travel	380 kgf/cm ² (5,400 psi)
Power Boost (Boom, Arm, Bucket)	380 kgf/cm ² (5,400 psi)
Swing Circuit	270 kgf/cm ² (3,840 psi)
Pilot Circuit	40 kgf/cm ² (570 psi)
Service Valve	Installed

DRIVES & BRAKES	
4-wheel hydrostatic drive. Constant mesh, helical gear transmission provides 2 forward and reverse travel speeds.	
Reduction System	Planetary reduction gear
Max. Drawbar Pull	10,720 kgf (23,636 lbf)
Max. Travel Speed (High / Low)	9.5 km/hr (5.9 mph) / 37 km/hr (24.2 mph)
Gradeability	35° (70%)
Parking Brake	Spring applied and hydraulic released wet disc brake type in transmission.

OPERATING WEIGHT (APPROXIMATE)

Operating weight, including 5,000mm (16' 5") Mono boom, 2,591 mm (8' 6") arm, SAE heaped 0.85 m³ (1.11 yd³) backhoe bucket, lubricant, coolant, full fuel tank, hydraulic tank and the standard equipment.

OPERATING WEIGHT	
Rear outrigger	17,580 kg (38,760 lb)
Front outrigger and rear blade	17,850 kg (39,350 lb)
Front blade and rear outrigger	18,800 kg (41,450 lb)
Four outrigger	18,800 kg (41,450 lb)
Front blade and rear blade	19,070 kg (42,040 lb)

SWING SYSTEM	
Swing motor	Fixed displacement axial pistons motor
Swing bearing lubrication	Grease-bathed
Swing brake	Multi wet disc
Swing speed	9.3 rpm

COOLANT & LUBRICANT CAPACITY		
	US gal	liter
Fuel Tank	66.0	250
Engine Coolant	5.2	19.5
Engine Oil	2.9	11
Swing Device	0.32	1.2
Hydraulic System (Including Tank)	53.9	204
Hydraulic Tank	32.2	122
Def/Adblue®	7.1	27

UNDERCARRIAGE

Reinforced box-section frame is all-welded, low-stress. Dozer blade and outrigger options are available. Easily replaceable through bolt-on design.

Dozer blade	Parallelogram-mounted dozer blade to support machine when working, also for leveling and back filling.
Outriggers	Indicated for max. operation stability when digging and lifting. Can be mounted on front/or rear.

CAB NOISE LEVEL

Guaranteed noise level presented below can be differed depending on a range of factors such as operating condition, speed of a cooling fan, types of engine and so forth. Hearing protection shall be necessary if an operator is working in the improperly aintained cabin or exposed to a noisy environment by leaving doors and/or windows open. With cooling fan speed at maximum value:

Operator sound pressure level (ISO 6396:2008)	71 dB(A)
Exterior sound power level (ISO 6395:2008)	99 dB(A)

* Distance of 15 m (49.2 ft), moving forward in second gear ratio

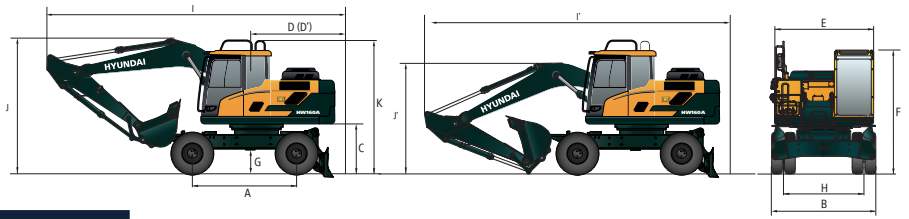
CONTROL

Pilot pressure operated joysticks and pedals with detachable lever provide almost effortless and fatigueless operation.

Pilot Control	Two joysticks with one safety lever (LH) : Swing and arm, (RH) : Boom and bucket FNR switch on RH joystick / Ram lock switch on LH joystick
Attachment Control	3 modes available: Push / Proportional / Permanent
Engine Throttle	Electric, Dial type
Operation Mode	3 modes available: P-Parking W-Working T-Travel

SPECIFICATIONS HW160A L

EU Stage V Engine Installed



HW160A L MONO BOOM DIMENSIONS

Unit: ft·in (mm)

5.0 m (16' 5") Mono boom, 2.0 m (6' 7"), 2.45 m (8' 0"), 2.6 m (8' 6"), 3.1 m (10' 2") Arm,
Rear dozer

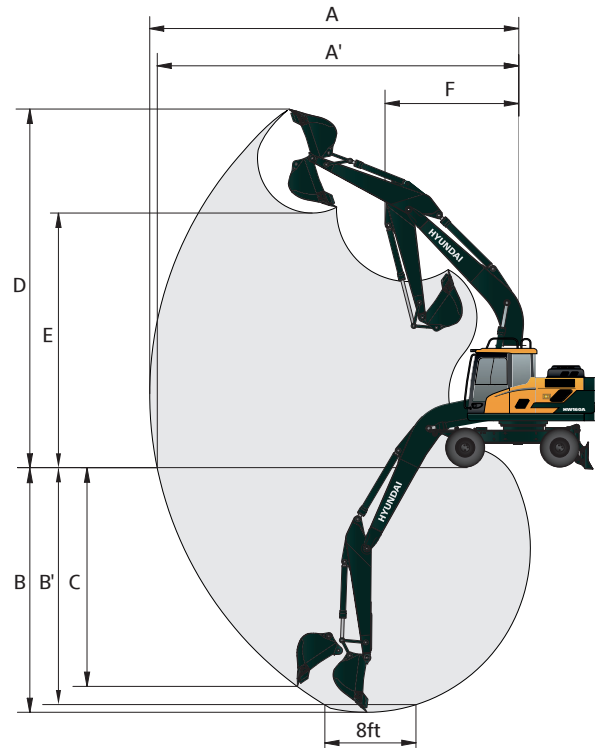
A	Wheel base	2,600 (8' 6")
B	Overall width (STD / Wide axle)	2,530 (8' 4")
C	Ground clearance of counterweight	1,265 (4' 2")
D	Rear-end distance	2,240 (7' 4")
D'	Rear-end swing radius	2,250 (7' 5")
E	Upperstructure width	2,485 (8' 2")
F	Overall height of cab	3,230 (10' 7")
G	Min. ground clearance	370 (1' 3")
H	Tread	1,944 (6' 5")
K	Overall height of guardrail	3,450 (11' 4")

	Arm length	2,000 (6' 7")	2,450 (8' 0")	2,600 (8' 6")	3,100 (10' 2")
I	Overall length (Traveling position)	8,230 (27')	8,180 (26' 10")	7,960 (26' 6")	7,990 (26' 5")
I'	Overall length (Shipping position)	8,190 (26' 10")	8,140 (26' 8")	8,240 (27' 0")	8,210 (26' 11")
J'	Overall height of boom (Shipping position)	3,090 (10' 2")	2,965 (9' 9")	3,250 (10' 8")	3,530 (11' 7")

HW160A L MONO BOOM WORKING RANGE

Unit: ft·in (mm)

Boom length	5,000 (16' 5")			
Arm length	2,000 (6' 7")	2,450 (8' 0")	2,600 (8' 6")	3,100 (10' 2")
A Max. digging reach	8,360 (27' 5")	8,820 (28' 11")	8,865 (29' 1")	9,285 (30' 6")
A' Max. digging reach on ground	8,140 (26' 8")	8,610 (28' 3")	8,660 (28' 5")	9,090 (29' 10")
B Max. digging depth	5,160 (16' 11")	5,610 (18' 5")	5,760 (18' 11")	6,260 (20' 6")
B' Max. digging depth (8' level)	4,910 (16' 1")	5,410 (17' 9")	5,530 (18' 2")	6,045 (19' 10")
C Max. vertical wall digging depth	4,430 (14' 6")	5,060 (16' 7")	4,870 (16' 0")	5,220 (17' 2")
D Max. digging height	8,640 (28' 4")	9,010 (29' 7")	8,810 (28' 11")	8,920 (29' 3")
E Max. dumping height	6,030 (19' 9")	6,360 (20' 10")	6,210 (20' 4")	6,350 (20' 10")
F Min. swing radius	3,480 (11' 5")	3,170 (10' 5")	3,450 (11' 4")	3,500 (11' 6")



ATTACHMENT

Booms and arms are welded with a low-stress, full-box section design.
2.0 m (6' 7"), 2.45 m (8' 0"), 2.6 m (8' 6"), 3.1 m (10' 2") arms are available.

DIGGING FORCE

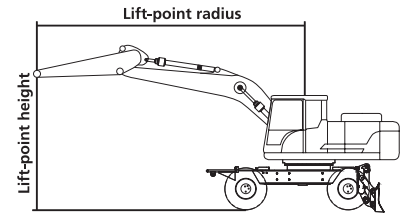
Boom		5,000 (16' 9") Mono				Remark
Arm		2,000 (6' 7")	2,450 (8' 0")	2,600 (8' 6")	3,100 (10' 2")	
Bucket digging force	SAE	kN	98 [107]	98 [107]	98 [107]	98 [107]
		kgf	10,008 [10,920]	9,992 [10,900]	10,026 [10,940]	10,029 [10,940]
		lbf	22,060 [24,070]	22,030 [24,030]	22,110 [24,120]	22,110 [24,120]
	ISO	kN	115 [125]	115 [125]	115 [126]	115 [126]
		kgf	11,726 [12,790]	11,706 [12,770]	11,746 [12,810]	11,750 [12,820]
		lbf	25,850 [28,200]	25,810 [28,150]	25,900 [28,240]	25,900 [28,260]
Arm crowd force	SAE	kN	92 [101]	73 [80]	73 [79]	65 [70]
		kgf	9,417 [10,270]	7,468 [8,150]	7,401 [8,070]	6,572 [7,170]
		lbf	20,760 [22,640]	16,460 [17,970]	16,320 [17,790]	14,490 [15,810]
	ISO	kN	97 [106]	77 [84]	76 [82]	67 [73]
		kgf	9,928 [10,830]	7,816 [8,530]	7,737 [8,440]	6,833 [7,450]
		lbf	21,890 [23,880]	17,230 [18,810]	17,060 [18,610]	15,060 [16,420]

Note : Arm weight includes bucket cylinder, linkage, and pin

[] :
Power Boost

SPECIFICATIONS HW160AL

EU Stage V Engine Installed



Lifting Capacity (Without Dozer)

Boom: 5.0 m (16' 5")

Arm: 2.45 m (8' 0")

Wheel 500 mm (20")

CWT 2,910 kg (6,415 lb)

Capacities based on North American Standard Configuration
in accordance with ISO condition 2 standard.

Rating over front

Rating over side or 360 degree

Lift-point height m (ft)		Lift-point radius								At max. reach		
		1.5 m (4.9 ft)		3.0 m (9.8 ft)		4.5 m (14.8 ft)		6.0 m (19.7 ft)		Capacity		Reach m (ft)
7.5 m 24.6 ft	kg lb									*3180 *7010	*3180 *7010	4.77 (15.7)
6.0 m 19.7 ft	kg lb							*3550 *7830	2670 5890	*2750 *6060	2540 5600	6.16 (20.2)
4.5 m 14.8 ft	kg lb					*4,730 *10,430	4120 9080	*4240 *9350	2630 5800	*2630 *5800	2050 4520	6.96 (22.8)
3.0 m 9.8 ft	kg lb					*5,890 *12,990	3820 8420	4350 9590	2510 5530	*2660 *5860	1820 4010	7.36 (24.2)
1.5 m 4.9 ft	kg lb					6,470 14,260	3550 7830	4200 9260	2390 5270	*2830 *6240	1740 3840	7.44 (24.4)
Ground Line	kg lb			*5870 *12940	*5870 *12940	6,290 13,870	3390 7470	4110 9060	2300 5070	3170 6990	1790 3950	7.21 (23.61)
-1.5 m -4.9 ft	kg lb	*5,810 *12,810	*5,810 *12,810	*10160 *22400	6100 13450	6,250 13,780	3360 7410	4090 9020	2280 5030	3570 7870	2020 4450	6.62 (21.7)
-3.0 m -9.8 ft	kg lb	*10,280 *22,660	*10,280 *22,660	*8790 *19380	6250 13780	*6,160 *13,580	3430 7560			*4540 *10010	2600 5730	5.57 (18.3)

Lifting Capacity (Dozer Down)

Boom: 5.0 m (16' 5")

Arm: 2.45 m (8' 0")

Wheel 500 mm (20")

CWT 3,250 kg (7,170 lb)

Capacities based on North American Standard Configuration
in accordance with ISO condition 2 standard.

Rating over front

Rating over side or 360 degree

Lift-point height m (ft)		Lift-point radius								At max. reach		
		1.5 m (4.9 ft)		3.0 m (9.8 ft)		4.5 m (14.8 ft)		6.0 m (19.7 ft)		Capacity		Reach m (ft)
7.5 m 24.6 ft	kg lb									*3180 *7010	*3180 *7010	4.77 (15.7)
6.0 m 19.7 ft	kg lb							*3550 *7830	2940 6480	*2750 *6060	*2750 *6060	6.16 (20.2)
4.5 m 14.8 ft	kg lb					*4730 *10430	4540 10010	*4240 *9350	2900 6390	*2630 *5800	2260 4980	6.96 (22.8)
3.0 m 9.8 ft	kg lb					*5890 *12990	4240 9350	4350 9590	2780 6130	*2660 *5860	2020 4450	7.36 (24.2)
1.5 m 4.9 ft	kg lb					6470 14260	3960 8730	4200 9260	2650 5840	*2830 *6240	1940 4280	7.44 (24.4)
Ground Line	kg lb			*5870 *12940	*5870 *12940	6290 13870	3800 8380	4110 9060	2570 5670	3170 6990	2000 4410	7.21 (23.6)
-1.5 m -4.9 ft	kg lb	*5810 *12810	*5810 *12810	*10160 *22400	6950 15320	6250 13780	3770 8310	4090 9020	2550 5620	3570 7870	2250 4960	6.62 (21.7)
-3.0 m -9.8 ft	kg lb	*10280 *22660	*10280 *22660	*8790 *19380	7110 15670	*6160 *13580	3840 8470			*4540 *10010	2900 6390	5.57 (18.3)

NOTES:

- Lifting capacities are based on ISO 10567.
- Lifting capacity of the HX Series does not exceed 75% of tipping load with the machine on firm, level ground or 87% of full hydraulic capacity.

- The Lift-point is bucket pivot mounting pin on the arm (without bucket mass).
- (*) indicates load limited by hydraulic capacity.

ENGINE	STD	OPT
Cummins B 4.5 engine	●	
HYDRAULIC SYSTEM		
Intelligent Power Control (IPC)		
3-power mode, 2-work mode, user mode	●	
Variable Power Control	●	
Pump Flow Control	●	
Attachment Mode Flow Control	●	
Engine Auto Idle	●	
Engine Auto Shutdown Control	●	
Electronic Fan Control	●	
20 km/h speed limit		●
Hyundai Bio Hydraulic Oil (HBHO)		●
CAB & INTERIOR		
ISO Standard cabin		
Rise-up type windshield wiper	●	
Radio / USB player	●	
Handsfree mobile phone system with USB	●	
12 volt power outlet (24V DC to 12V DC converter)	●	
Electric horn	●	
All-weather steel cab with 360° visibility	●	
Safety glass - Tempered glass with front laminated glass	●	
Safety glass windows	●	
Sliding fold-in front window	●	
Sliding side window(LH)	●	
Lockable door	●	
Hot & cool box	●	
Storage compartment	●	
Transparent cabin roof-cover	●	
Sun visor	●	
Door and cab locks, one key	●	
Mechanical suspension seat with heater	●	
Pilot-operated slidable joystick	●	
Console box height adjust system	●	
Automatic climate control		
Air conditioner & heater	●	
Defroster	●	
Starting Aid (air grid heater) for cold weather	●	
Centralized monitoring		
8" LCD display	●	
Engine speed or Trip meter/Accel.	●	
Engine coolant temperature gauge	●	
Max power	●	
Low speed/High speed	●	
Auto idle	●	
Overload warning with alarm		●
Check Engine	●	
Air cleaner clogging	●	
Indicators	●	
ECO Gauges	●	
Fuel level gauge	●	
Hyd. oil temperature gauge	●	
Warnings	●	
Communication error	●	
Low battery	●	
Clock	●	
Cabin lights		●
Cabin front window rain guard		●
Seat		
Adjustable Air Suspension with Heater	●	
Cabin FOP (ISO 10,262) Level 2		
FOPS (Falling Object Structures)	Front & Tops Guard	●
	Top Guard	●
Cabin ROPS (ISO 12,117-2)		
ROPS (Roll Over Protective Structures)	●	

SAFETY	STD	OPT
Ride control & Boom floating		●
Radar with 2nd monitor		●
Battery master switch	●	
Rear view camera	●	
Rear & Mirror view camera		●
AAVM (Advanced Around View Monitoring)		●
Four front working lights (2 boom mounted, 2 front frame mounted)	●	
Travel alarm	●	
Rear work lamp		●
Beacon lamp		●
Automatic swing brake	●	
Boom holding system	●	
Arm holding system	●	
Safety lock valve for boom cylinder with overload warning device	●	
Safety lock valve for arm cylinder	●	
Swing Lock System		●
Four outside rearview mirror	●	

ATTACHMENT		
Booms		
5.0 m, 16' 5" Mono	●	
Arms		
2.00 m, 6' 7"		●
2.45 m, 8' 0"	●	
2.60 m, 8' 6"		●
3.10 m, 10' 2"		●

OTHER		
Heavy CWT	●	
Fuel pre-filter	●	
Self-diagnostics system	●	
Hi MATE (Remote Management System)	●	
Batteries (2 x 12V x 100 AH)	●	
Double-acting piping kit with fingertip control		●
Rotating Piping Kit		●
Quick coupler piping	●	
Quick coupler	●	
Accumulator for lowering work equipment	●	
Pattern change valve (2 patterns)		●
Fine Swing Control System		●
Automatic braking		●
Joystick Steering		●
Auto cruiser system	●	
LED lights on boom (2)		●
Lower Frame Toolbox - LH	●	
Lower Frame Toolbox - LH, RH		●

UNDERCARRIAGE		
Front dozer blade		●
Rear dozer blade		●
Rear outrigger		●
Front outrigger and rear blade		●
Front and rear outrigger		●
Front blade and rear outrigger		●
Front grapple rest and rear blade		●
Front and rear dozer blade		●
Trailer hitch for rear dozer blade		●
Front grapppler rest and rear outrigger		●
Front bucket rest and rear blade		●
Front bucket rest and rear outrigger		●
Tires-dual (10.00-20-14PR tube)	●	
Tires-dual (10.00-20-16PR tube)		●
Tires-dual (10.00-20 solid)		●
Fenders (Mudguards)		●
Wide axle 2.7 m		●

- * Standard and optional equipment may vary. Contact your Hyundai dealer for more information. The machine may vary according to International standards.
- * The photos may include attachments and optional equipment that are not available in your area.
- * Materials and specifications are subject to change without advance notice.
- * All imperial measurements rounded off to the nearest pound or inch.



www.hceamericas.com
6100 Atlantic Blvd., Norcross, GA 30071
TEL (678) 823-7777 FAX (678) 823-7778

PLEASE CONTACT